

COMPANY PROFILE

Miyanch. Co. Ltd. was established at Fenyuan T., Changhau, Taiwan in 1985. We uphold the spirit of continuous exploring, and strive for excellence in our products and technologies. In 2006, we set up second factory, invested a considerable sum in purchasing various precision machines and equipments to ensure our product quality and technological advancement. Now we are not only a market leader but also the biggest hole Cutter manufacturer in Taiwan.

We are an ISO 9001:2015 and CE certificated company, manufactures portable magnetic drilling machines and wide range of tungsten carbide tipped hole saws, annular cutters, for drilling purpose. All drilling machines and tungsten carbide tipped hole cutters have easily using operation interface, high quality performance and durable drilling life. Our products can be used in any kind of metal for hole making purpose. Like annular cutter for thick metal purpose. It can be used in on-site hole-cutting in steel plates. H-Beams shapes, shaped bars, framework, and other machinery, shipbuilding, bridges and structures etc. steel reinforcements and construction materials. The hole saw for sheet metal purpose. It can be used in stainless sheets or square wares, cast irons, iron plates and F.R.P. formed products. We also have wood hole saw for wood working purpose such as wood, chip board, plywood, PVC, plastic etc.

Our business type is accepted OEM service if customer requite. Now the products had already been exporting to more than 20 countries like Canada, UK, Germany, Italy, Swiss, Belgium, Netherlands, France, Turkey, Russia, Denmark, Australia, New Zealand, USE, Saudi Arabia, Japan, India, Indonesia, Bangladesh, H.K., China, Thailand, Malaysia, Philippines, Vietnam and Singapore etc. In the future, we will carry on to every part of the international market and not only current countries. "To meet customer's demand" is our top policy. We keep making efforts to expand out product lines and improving our service to satisfy your particular requirements.



ISO 9001:2015



TABLE OF CONTENTS

T.C.T. Annular Cutter

FS-350 , FS-500 T.C.T. Annular Cutter	-----	1
FS-750 , FS-1000 T.C.T. Annular Cutter	-----	2
CT-350 , CT-500 T.C.T. Annular Cutter	-----	3
CT-850 , CT-1100 T.C.T. Annular Cutter	-----	4
RC-250 , RC-350 T.C.T. Rail Cutter	-----	5



T.C.T. Hole Saw

FS-22 , PL-22 T.C.T. Hole Saw	-----	6
ML-26 , PL-28 T.C.T. Hole Saw	-----	7
DP-50 , PL-52 T.C.T. Hole Saw	-----	8
PLD-52 T.C.T. Hole Saw	-----	9
FS-22L , DP-50L T.C.T. Hole Saw	-----	10
PLD-250 , HS-16 T.C.T. & H.S.S.Hole Saw	-----	11
HSQ-7 T.C.T. Quick Change Hole Saw Kits	-----	12
HSK-7A,B,C T.C.T. Hole Saw Kits	-----	13
PL-13,PL-13SA6,PL-13SB6 T.C.T. Hole Saw & Kits	-----	14
PL-13B,ML-26B,T.C.T. Cordless Drill Bits Hole Saw	-----	15
AW-360 T.C.T. Wood Hole Saw	-----	16



Cutter Instruction

T.C.T. Annular Cutter & Hole Saw R.P.M. Table	-----	17
---	-------	----

Magnetic Base Drilling Machine

WS-3500M Magnetic Base Drilling Machine	-----	18
WS-4500M Magnetic Base Drilling Machine	-----	20
WS-6000M Magnetic Base Drilling Machine	-----	22
WS-6025MT Magnetic Base Drilling Machine	-----	24
WS-3500CH Magnetic Base Drilling Machine	-----	26



Accessories

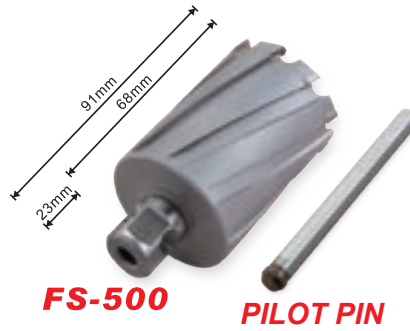
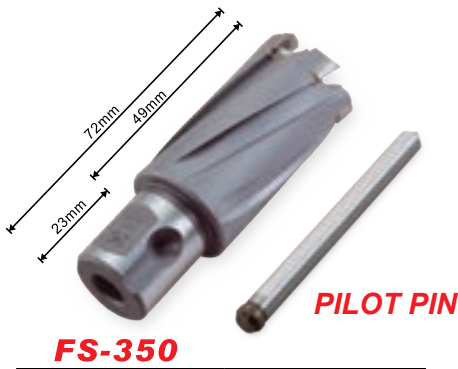
MT-2 , MT-3 Morse Taper Tool Holder	-----	27
Drill Chuck & Adaptor for Machines	-----	28



T.C.T. ANNULAR CUTTERS

Wide range of styles, and wide range of sizes!
3 cuts design to save your time cutting!
European Made Tipps keep longer life time cutting!
Over 32 Years of Development!
Light force and easy operate!





Model	FS-500
Type of Shank	One Touch
Depth of Cut	50mm
Shank Diameter	19.05mm
Overall Length	91mm

Model	FS-350
Type of Shank	One Touch
Depth of Cut	35mm
Shank Diameter	19.05mm
Overall Length	72mm

Part No.	Diameter	Pilot Pin Diameter	Part No.	Diameter	Pilot Pin Diameter
FS-500-012	12mm	6.3x112mm	FS-500-047	47mm	7.99x112mm
FS-500-013	13mm	7.09x112mm	FS-500-048	48mm	7.99x112mm
FS-500-014	14mm	7.09x112mm	FS-500-049	49mm	7.99x112mm
FS-500-015	15mm	7.09x112mm	FS-500-050	50mm	7.99x112mm
FS-500-016	16mm	7.09x112mm	FS-500-051	51mm	7.99x112mm
FS-500-017	17mm	7.99x112mm	FS-500-052	52mm	7.99x112mm
FS-500-018	18mm	7.99x112mm	FS-500-053	53mm	7.99x112mm
FS-500-019	19mm	7.99x112mm	FS-500-054	54mm	7.99x112mm
FS-500-020	20mm	7.99x112mm	FS-500-055	55mm	7.99x112mm
FS-500-021	21mm	7.99x112mm	FS-500-056	56mm	7.99x112mm
FS-500-022	22mm	7.99x112mm	FS-500-057	57mm	7.99x112mm
FS-500-023	23mm	7.99x112mm	FS-500-058	58mm	7.99x112mm
FS-500-024	24mm	7.99x112mm	FS-500-059	59mm	7.99x112mm
FS-500-025	25mm	7.99x112mm	FS-500-060	60mm	7.99x112mm
FS-500-026	26mm	7.99x112mm	FS-500-061	61mm	7.99x112mm
FS-500-027	27mm	7.99x112mm	FS-500-062	62mm	7.99x112mm
FS-500-028	28mm	7.99x112mm	FS-500-063	63mm	7.99x112mm
FS-500-029	29mm	7.99x112mm	FS-500-064	64mm	7.99x112mm
FS-500-030	30mm	7.99x112mm	FS-500-065	65mm	7.99x112mm
FS-500-031	31mm	7.99x112mm	FS-500-066	66mm	7.99x112mm
FS-500-032	32mm	7.99x112mm	FS-500-067	67mm	7.99x112mm
FS-500-033	33mm	7.99x112mm	FS-500-068	68mm	7.99x112mm
FS-500-034	34mm	7.99x112mm	FS-500-069	69mm	7.99x112mm
FS-500-035	35mm	7.99x112mm	FS-500-070	70mm	7.99x112mm
FS-500-036	36mm	7.99x112mm	FS-500-071	71mm	7.99x112mm
FS-500-037	37mm	7.99x112mm	FS-500-072	72mm	7.99x112mm
FS-500-038	38mm	7.99x112mm	FS-500-073	73mm	7.99x112mm
FS-500-039	39mm	7.99x112mm	FS-500-074	74mm	7.99x112mm
FS-500-040	40mm	7.99x112mm	FS-500-075	75mm	7.99x112mm
FS-500-041	41mm	7.99x112mm	FS-500-076	76mm	7.99x112mm
FS-500-042	42mm	7.99x112mm	FS-500-077	77mm	7.99x112mm
FS-500-043	43mm	7.99x112mm	FS-500-078	78mm	7.99x112mm
FS-500-044	44mm	7.99x112mm	FS-500-079	79mm	7.99x112mm
FS-500-045	45mm	7.99x112mm	FS-500-080	80mm	7.99x112mm
FS-500-046	46mm	7.99x112mm			

Part No.	Diameter	Pilot Pin Diameter
FS-350-012	12mm	6.3x91mm
FS-350-013	13mm	7.09x91mm
FS-350-014	14mm	7.09x91mm
FS-350-015	15mm	7.09x91mm
FS-350-016	16mm	7.09x91mm
FS-350-017	17mm	7.99x91mm
FS-350-018	18mm	7.99x91mm
FS-350-019	19mm	7.99x91mm
FS-350-020	20mm	7.99x91mm
FS-350-021	21mm	7.99x91mm
FS-350-022	22mm	7.99x91mm
FS-350-023	23mm	7.99x91mm
FS-350-024	24mm	7.99x91mm
FS-350-025	25mm	7.99x91mm
FS-350-026	26mm	7.99x91mm
FS-350-027	27mm	7.99x91mm
FS-350-028	28mm	7.99x91mm
FS-350-029	29mm	7.99x91mm
FS-350-030	30mm	7.99x91mm
FS-350-031	31mm	7.99x91mm
FS-350-032	32mm	7.99x91mm
FS-350-033	33mm	7.99x91mm
FS-350-034	34mm	7.99x91mm
FS-350-035	35mm	7.99x91mm
FS-350-036	36mm	7.99x91mm
FS-350-037	37mm	7.99x91mm
FS-350-038	38mm	7.99x91mm
FS-350-039	39mm	7.99x91mm
FS-350-040	40mm	7.99x91mm

SPECIAL FEATURES:

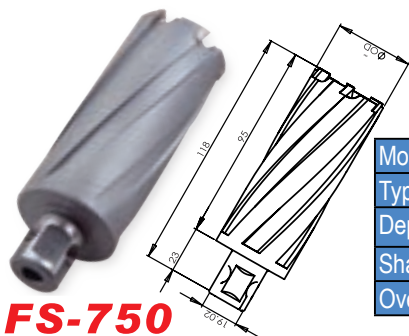
- ▶ Peripheral cutting.
- ▶ 3 ball channels and fixing holes for easy loading and unloading of cutting blades in one touch.
- ▶ With 1 flat surface for fixation of screw to keep out rotation.
- ▶ With 3-PLY design for lighter and faster cutting
- ▶ Tungsten carbide teeth faster than regular cutter and low wear-off.
- ▶ The special tooth arrangement makes the cutting as smooth and light as silk. Long life time can be assured.

MAIN APPLICATIONS

This metal borer is designed particularly for the drilling on various steel materials used on the construction of high building. On-Site hole cutting in steel plates, H-Beams shapes, shaped bars, shaped steel, cast iron, steel pipe used in bridges, frame shipbuilding, framework, machinery, steel-frame shipbuilding, elevated bridges, tall building, structures, etc. steel reinforcements, and many other metal working and construction jobs.

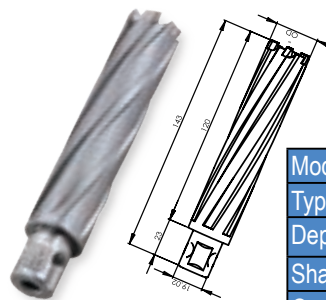
SUITABLE MACHINE

All kind of brand magnetic drilling machine. Like American, European, Japanese type or any other brand of drilling machine; as well as general conversion machines, milling machine.



FS-750

Model	FS-750
Type of Shank	One Touch
Depth of Cut	75mm
Shank Diameter	19.05mm
Overall Length	118mm



FS-1000

Model	FS-1000
Type of Shank	One Touch
Depth of Cut	100mm
Shank Diameter	19.05mm
Overall Length	143mm

Part No.	Diameter	Pilot Pin Diameter	Part No.	Diameter	Pilot Pin Diameter	Part No.	Diameter	Pilot Pin Diameter
FS-750-018	18mm	7.99x140mm	FS-750-040	40mm	7.99x140mm	FS-1000-018	18mm	7.99x160mm
FS-750-019	19mm	7.99x140mm	FS-750-041	41mm	7.99x140mm	FS-1000-019	19mm	7.99x160mm
FS-750-020	20mm	7.99x140mm	FS-750-042	42mm	7.99x140mm	FS-1000-020	20mm	7.99x160mm
FS-750-021	21mm	7.99x140mm	FS-750-043	43mm	7.99x140mm	FS-1000-021	21mm	7.99x160mm
FS-750-022	22mm	7.99x140mm	FS-750-044	44mm	7.99x140mm	FS-1000-022	22mm	7.99x160mm
FS-750-023	23mm	7.99x140mm	FS-750-045	45mm	7.99x140mm	FS-1000-023	23mm	7.99x160mm
FS-750-024	24mm	7.99x140mm	FS-750-046	46mm	7.99x140mm	FS-1000-024	24mm	7.99x160mm
FS-750-025	25mm	7.99x140mm	FS-750-047	47mm	7.99x140mm	FS-1000-025	25mm	7.99x160mm
FS-750-026	26mm	7.99x140mm	FS-750-048	48mm	7.99x140mm	FS-1000-026	26mm	7.99x160mm
FS-750-027	27mm	7.99x140mm	FS-750-049	49mm	7.99x140mm	FS-1000-027	27mm	7.99x160mm
FS-750-028	28mm	7.99x140mm	FS-750-050	50mm	7.99x140mm	FS-1000-028	28mm	7.99x160mm
FS-750-029	29mm	7.99x140mm	FS-750-051	51mm	7.99x140mm	FS-1000-029	29mm	7.99x160mm
FS-750-030	30mm	7.99x140mm	FS-750-052	52mm	7.99x140mm	FS-1000-030	30mm	7.99x160mm
FS-750-031	31mm	7.99x140mm	FS-750-053	53mm	7.99x140mm	FS-1000-031	31mm	7.99x160mm
FS-750-032	32mm	7.99x140mm	FS-750-054	54mm	7.99x140mm	FS-1000-032	32mm	7.99x160mm
FS-750-033	33mm	7.99x140mm	FS-750-055	55mm	7.99x140mm	FS-1000-033	33mm	7.99x160mm
FS-750-034	34mm	7.99x140mm	FS-750-056	56mm	7.99x140mm	FS-1000-034	34mm	7.99x160mm
FS-750-035	35mm	7.99x140mm	FS-750-057	57mm	7.99x140mm	FS-1000-035	35mm	7.99x160mm
FS-750-036	36mm	7.99x140mm	FS-750-058	58mm	7.99x140mm	FS-1000-036	36mm	7.99x160mm
FS-750-037	37mm	7.99x140mm	FS-750-059	59mm	7.99x140mm	FS-1000-037	37mm	7.99x160mm
FS-750-038	38mm	7.99x140mm	FS-750-060	60mm	7.99x140mm	FS-1000-038	38mm	7.99x160mm
FS-750-039	39mm	7.99x140mm				FS-1000-039	39mm	7.99x160mm
						FS-1000-040	40mm	7.99x160mm
						FS-1000-041	41mm	7.99x160mm
						FS-1000-042	42mm	7.99x160mm
						FS-1000-043	43mm	7.99x160mm
						FS-1000-044	44mm	7.99x160mm
						FS-1000-045	45mm	7.99x160mm
						FS-1000-046	46mm	7.99x160mm
						FS-1000-047	47mm	7.99x160mm
						FS-1000-048	48mm	7.99x160mm
						FS-1000-049	49mm	7.99x160mm
						FS-1000-050	50mm	7.99x160mm
						FS-1000-051	51mm	7.99x160mm
						FS-1000-052	52mm	7.99x160mm
						FS-1000-053	53mm	7.99x160mm
						FS-1000-054	54mm	7.99x160mm
						FS-1000-055	55mm	7.99x160mm
						FS-1000-056	56mm	7.99x160mm
						FS-1000-057	57mm	7.99x160mm
						FS-1000-058	58mm	7.99x160mm
						FS-1000-059	59mm	7.99x160mm
						FS-1000-060	60mm	7.99x160mm

SPECIAL FEATURES:

- ▶ Peripheral cutting.
- ▶ 3 ball channels and fixing holes for easy loading and unloading of cutting blades in one touch.
- ▶ With 1 flat surface for fixation of screw to keep out rotation.
- ▶ With 3-PLY design for lighter and faster cutting
- ▶ Tungsten carbide teeth faster than regular cutter and low wear-off.
- ▶ The special tooth arrangement makes the cutting as smooth and light as silk. Long life time can be assured.

MAIN APPLICATIONS

This metal borer is designed particularly for the drilling on various steel materials used on the construction of high building.

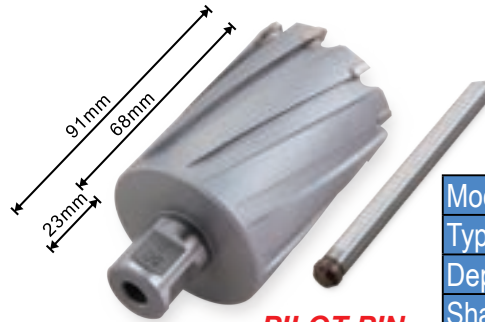
On-Site hole cutting in steel plates, H-Beams shapes, shaped bars, shaped steel, cast iron, steel pipe used in bridges, frame shipbuilding, framework, machinery, steel-frame shipbuilding, elevated bridges, tall building, structures, etc. steel reinforcements, and many other metal working and construction jobs.

SUITBALE MACHINE

All kind of brand magnetic drilling machine. Like American, European, Japanese type or any other brand of drilling machine; as well as general conversion machines, milling machine.



CT-350 PILOT PIN



CT-500 PILOT PIN

Model	CT-500
Type of Shank	Weldon Shank
Depth of Cut	50mm
Shank Diameter	19.05mm
Overall Length	91mm

Model	CT-350
Type of Shank	Weldon Shank
Depth of Cut	35mm
Shank Diameter	19.05mm
Overall Length	72mm

Part No.	Diameter	Pilot Pin Diameter
CT-350-012	12mm	6.3x91mm
CT-350-013	13mm	7.09x91mm
CT-350-014	14mm	7.09x91mm
CT-350-015	15mm	7.09x91mm
CT-350-016	16mm	7.09x91mm
CT-350-017	17mm	7.99x91mm
CT-350-018	18mm	7.99x91mm
CT-350-019	19mm	7.99x91mm
CT-350-020	20mm	7.99x91mm
CT-350-021	21mm	7.99x91mm
CT-350-022	22mm	7.99x91mm
CT-350-023	23mm	7.99x91mm
CT-350-024	24mm	7.99x91mm
CT-350-025	25mm	7.99x91mm
CT-350-026	26mm	7.99x91mm
CT-350-027	27mm	7.99x91mm
CT-350-028	28mm	7.99x91mm
CT-350-029	29mm	7.99x91mm
CT-350-030	30mm	7.99x91mm
CT-350-031	31mm	7.99x91mm
CT-350-032	32mm	7.99x91mm
CT-350-033	33mm	7.99x91mm
CT-350-034	34mm	7.99x91mm
CT-350-035	35mm	7.99x91mm
CT-350-036	36mm	7.99x91mm
CT-350-037	37mm	7.99x91mm
CT-350-038	38mm	7.99x91mm
CT-350-039	39mm	7.99x91mm
CT-350-040	40mm	7.99x91mm

Part No.	Diameter	Pilot Pin Diameter	Part No.	Diameter	Pilot Pin Diameter
CT-500-012	12mm	6.3x112mm	CT-500-047	47mm	7.99x112mm
CT-500-013	13mm	7.09x112mm	CT-500-048	48mm	7.99x112mm
CT-500-014	14mm	7.09x112mm	CT-500-049	49mm	7.99x112mm
CT-500-015	15mm	7.09x112mm	CT-500-050	50mm	7.99x112mm
CT-500-016	16mm	7.09x112mm	CT-500-051	51mm	7.99x112mm
CT-500-017	17mm	7.99x112mm	CT-500-052	52mm	7.99x112mm
CT-500-018	18mm	7.99x112mm	CT-500-053	53mm	7.99x112mm
CT-500-019	19mm	7.99x112mm	CT-500-054	54mm	7.99x112mm
CT-500-020	20mm	7.99x112mm	CT-500-055	55mm	7.99x112mm
CT-500-021	21mm	7.99x112mm	CT-500-056	56mm	7.99x112mm
CT-500-022	22mm	7.99x112mm	CT-500-057	57mm	7.99x112mm
CT-500-023	23mm	7.99x112mm	CT-500-058	58mm	7.99x112mm
CT-500-024	24mm	7.99x112mm	CT-500-059	59mm	7.99x112mm
CT-500-025	25mm	7.99x112mm	CT-500-060	60mm	7.99x112mm
CT-500-026	26mm	7.99x112mm	CT-500-061	61mm	7.99x112mm
CT-500-027	27mm	7.99x112mm	CT-500-062	62mm	7.99x112mm
CT-500-028	28mm	7.99x112mm	CT-500-063	63mm	7.99x112mm
CT-500-029	29mm	7.99x112mm	CT-500-064	64mm	7.99x112mm
CT-500-030	30mm	7.99x112mm	CT-500-065	65mm	7.99x112mm
CT-500-031	31mm	7.99x112mm	CT-500-066	66mm	7.99x112mm
CT-500-032	32mm	7.99x112mm	CT-500-067	67mm	7.99x112mm
CT-500-033	33mm	7.99x112mm	CT-500-068	68mm	7.99x112mm
CT-500-034	34mm	7.99x112mm	CT-500-069	69mm	7.99x112mm
CT-500-035	35mm	7.99x112mm	CT-500-070	70mm	7.99x112mm
CT-500-036	36mm	7.99x112mm	CT-500-071	71mm	7.99x112mm
CT-500-037	37mm	7.99x112mm	CT-500-072	72mm	7.99x112mm
CT-500-038	38mm	7.99x112mm	CT-500-073	73mm	7.99x112mm
CT-500-039	39mm	7.99x112mm	CT-500-074	74mm	7.99x112mm
CT-500-040	40mm	7.99x112mm	CT-500-075	75mm	7.99x112mm
CT-500-041	41mm	7.99x112mm	CT-500-076	76mm	7.99x112mm
CT-500-042	42mm	7.99x112mm	CT-500-077	77mm	7.99x112mm
CT-500-043	43mm	7.99x112mm	CT-500-078	78mm	7.99x112mm
CT-500-044	44mm	7.99x112mm	CT-500-079	79mm	7.99x112mm
CT-500-045	45mm	7.99x112mm	CT-500-080	80mm	7.99x112mm
CT-500-046	46mm	7.99x112mm			

SPECIAL FEATURES:

- ▶ Peripheral cutting.
- ▶ With weldon shank 2 flat surface for fixation of screw to keep out rotation.
- ▶ With 3-PLY design for lighter and faster cutting
- ▶ Tungsten carbide teeth faster than regular cutter and low wear-off.
- ▶ The special tooth arrangement makes the cutting as smooth and light as silk. Long life time can be assured.

MAIN APPLICATIONS

This metal borer is designed particularly for the drilling on various steel materials used on the construction of high building.

On-Site hole cutting in steel plates, H-Beams shapes, shaped bars, shaped steel, cast iron, steel pipe used in bridges, frame shipbuilding, framework, machinery, steel-frame shipbuilding, elevated bridges, tall building, structures, etc. steel reinforcements, and many other metal working and construction jobs.

SUITABLE MACHINE

All kind of brand magnetic drilling machine. Like American, European, Japanese type or any other brand of drilling machine; as well as general conversion machines, milling machine.



Part No.	Diameter	Pilot Pin Diameter	Part No.	Diameter	Pilot Pin Diameter
CT-850-018	18mm	7.99x150mm	CT-850-040	40mm	7.99x150mm
CT-850-019	19mm	7.99x150mm	CT-850-041	41mm	7.99x150mm
CT-850-020	20mm	7.99x150mm	CT-850-042	42mm	7.99x150mm
CT-850-021	21mm	7.99x150mm	CT-850-043	43mm	7.99x150mm
CT-850-022	22mm	7.99x150mm	CT-850-044	44mm	7.99x150mm
CT-850-023	23mm	7.99x150mm	CT-850-045	45mm	7.99x150mm
CT-850-024	24mm	7.99x150mm	CT-850-046	46mm	7.99x150mm
CT-850-025	25mm	7.99x150mm	CT-850-047	47mm	7.99x150mm
CT-850-026	26mm	7.99x150mm	CT-850-048	48mm	7.99x150mm
CT-850-027	27mm	7.99x150mm	CT-850-049	49mm	7.99x150mm
CT-850-028	28mm	7.99x150mm	CT-850-050	50mm	7.99x150mm
CT-850-029	29mm	7.99x150mm	CT-850-051	51mm	7.99x150mm
CT-850-030	30mm	7.99x150mm	CT-850-052	52mm	7.99x150mm
CT-850-031	31mm	7.99x150mm	CT-850-053	53mm	7.99x150mm
CT-850-032	32mm	7.99x150mm	CT-850-054	54mm	7.99x150mm
CT-850-033	33mm	7.99x150mm	CT-850-055	55mm	7.99x150mm
CT-850-034	34mm	7.99x150mm	CT-850-056	56mm	7.99x150mm
CT-850-035	35mm	7.99x150mm	CT-850-057	57mm	7.99x150mm
CT-850-036	36mm	7.99x150mm	CT-850-058	58mm	7.99x150mm
CT-850-037	37mm	7.99x150mm	CT-850-059	59mm	7.99x150mm
CT-850-038	38mm	7.99x150mm	CT-850-060	60mm	7.99x150mm
CT-850-039	39mm	7.99x150mm			

Part No.	Diameter	Pilot Pin Diameter
CT-1100-018	18mm	7.99x175mm
CT-1100-019	19mm	7.99x175mm
CT-1100-020	20mm	7.99x175mm
CT-1100-021	21mm	7.99x175mm
CT-1100-022	22mm	7.99x175mm
CT-1100-023	23mm	7.99x175mm
CT-1100-024	24mm	7.99x175mm
CT-1100-025	25mm	7.99x175mm
CT-1100-026	26mm	7.99x175mm
CT-1100-027	27mm	7.99x175mm
CT-1100-028	28mm	7.99x175mm
CT-1100-029	29mm	7.99x175mm
CT-1100-030	30mm	7.99x175mm
CT-1100-031	31mm	7.99x175mm
CT-1100-032	32mm	7.99x175mm
CT-1100-033	33mm	7.99x175mm
CT-1100-034	34mm	7.99x175mm
CT-1100-035	35mm	7.99x175mm
CT-1100-036	36mm	7.99x175mm
CT-1100-037	37mm	7.99x175mm
CT-1100-038	38mm	7.99x175mm
CT-1100-039	39mm	7.99x175mm
CT-1100-040	40mm	7.99x175mm
CT-1100-041	41mm	7.99x175mm
CT-1100-042	42mm	7.99x175mm
CT-1100-043	43mm	7.99x175mm
CT-1100-044	44mm	7.99x175mm
CT-1100-045	45mm	7.99x175mm
CT-1100-046	46mm	7.99x175mm
CT-1100-047	47mm	7.99x175mm
CT-1100-048	48mm	7.99x175mm
CT-1100-049	49mm	7.99x175mm
CT-1100-050	50mm	7.99x175mm
CT-1100-051	51mm	7.99x175mm
CT-1100-052	52mm	7.99x175mm
CT-1100-053	53mm	7.99x175mm
CT-1100-054	54mm	7.99x175mm
CT-1100-055	55mm	7.99x175mm
CT-1100-056	56mm	7.99x175mm
CT-1100-057	57mm	7.99x175mm
CT-1100-058	58mm	7.99x175mm
CT-1100-059	59mm	7.99x175mm
CT-1100-060	60mm	7.99x175mm

SPECIAL FEATURES:

- ▶ Peripheral cutting.
- ▶ With weldon shank 2 flat surface for fixation of screw to keep out rotation.
- ▶ With 3-PLY design for lighter and faster cutting
- ▶ Tungsten carbide teeth faster than regular cutter and low wear-off.
- ▶ The special tooth arrangement makes the cutting as smooth and light as silk. Long life time can be assured.

MAIN APPLICATIONS

This metal borer is designed particularly for the drilling on various steel materials used on the construction of high building. On-Site hole cutting in steel plates, H-Beams shapes, shaped bars, shaped steel, cast iron, steel pipe used in bridges, frame shipbuilding, framework, machinery, steel-frame shipbuilding, elevated bridges, tall building, structures, etc. steel reinforcements, and many other metal working and construction jobs.

SUITBALE MACHINE

All kind of brand machine. Like American, European, type or any other brand of machine; as well as ardiar drilling machine, boring machine, milling machine.



RC-250

Model	RC-250
Type of Shank	Weldon Shank
Depth of Cut	25mm
Shank Diameter	19.05mm
Overall Length	62mm



RC-350

Model	RC-350
Type of Shank	Weldon Shank
Depth of Cut	35mm
Shank Diameter	19.05mm
Overall Length	91mm

Part No.	Diameter	Pilot Pin Diameter
RC-250-018	18mm	7.99x76mm
RC-250-019	19mm	7.99x76mm
RC-250-020	20mm	7.99x76mm
RC-250-021	21mm	7.99x76mm
RC-250-022	22mm	7.99x76mm
RC-250-023	23mm	7.99x76mm
RC-250-024	24mm	7.99x76mm
RC-250-025	25mm	7.99x76mm
RC-250-026	26mm	7.99x76mm
RC-250-027	27mm	7.99x76mm
RC-250-028	28mm	7.99x76mm
RC-250-029	29mm	7.99x76mm
RC-250-030	30mm	7.99x76mm
RC-250-031	31mm	7.99x76mm
RC-250-032	32mm	7.99x76mm
RC-250-033	33mm	7.99x76mm
RC-250-034	34mm	7.99x76mm
RC-250-035	35mm	7.99x76mm
RC-250-036	36mm	7.99x76mm

Part No.	Diameter	Pilot Pin Diameter
RC-350-018	18mm	7.99x91mm
RC-350-019	19mm	7.99x91mm
RC-350-020	20mm	7.99x91mm
RC-350-021	21mm	7.99x91mm
RC-350-022	22mm	7.99x91mm
RC-350-023	23mm	7.99x91mm
RC-350-024	24mm	7.99x91mm
RC-350-025	25mm	7.99x91mm
RC-350-026	26mm	7.99x91mm
RC-350-027	27mm	7.99x91mm
RC-350-028	28mm	7.99x91mm
RC-350-029	29mm	7.99x91mm
RC-350-030	30mm	7.99x91mm
RC-350-031	31mm	7.99x91mm
RC-350-032	32mm	7.99x91mm
RC-350-033	33mm	7.99x91mm
RC-350-034	34mm	7.99x91mm
RC-350-035	35mm	7.99x91mm
RC-350-036	36mm	7.99x91mm

SPECIAL FEATURES:

- ▶Peripheral cutting.
 - ▶With weldon shank 2 flat surface for fixation of screw to keep out rotation.
 - ▶With 3-Ply design for lighter and faster cutting
 - ▶Tungsten carbide teeth faster than regular cutter and low wear-off.
 - ▶The special tooth arrangement makes the cutting as smooth and light as silk. Long life time can be assured.
- One touch or other shank available by request.

MAIN APPLICATIONS

This metal borer is designed particularly for the drilling on railroad and Highway maintenance.

SUITBALE MACHINE

All brand of rail drilling machine.

T.C.T. HOLE SAWS





FS-22
1-PLY



PL-22
1-PLY

Model	FS-22 (1-PLY)
Type	Stopper & Assemble
Depth of Cut	5mm

Model	PL-22 (1-PLY)
Type	Stopper & One piece
Depth of Cut	5mm

Part No. FS-22	Part No. PL-22	Diameter	Shank Diameter	Part No. FS-22	Part No. PL-22	Diameter	Shank Diameter	Part No. FS-22	Part No. PL-22	Diameter	Shank Diameter
FS-22-015	PL-22-015	15mm	10mm	FS-22-046	PL-22-046	46mm	13mm	FS-22-077	PL-22-077	77mm	13mm
FS-22-016	PL-22-016	16mm	10mm	FS-22-047	PL-22-047	47mm	13mm	FS-22-078	PL-22-078	78mm	13mm
FS-22-017	PL-22-017	17mm	10mm	FS-22-048	PL-22-048	48mm	13mm	FS-22-079	PL-22-079	79mm	13mm
FS-22-018	PL-22-018	18mm	10mm	FS-22-049	PL-22-049	49mm	13mm	FS-22-080	PL-22-080	80mm	13mm
FS-22-019	PL-22-019	19mm	10mm	FS-22-050	PL-22-050	50mm	13mm	FS-22-081	PL-22-081	81mm	13mm
FS-22-020	PL-22-020	20mm	10mm	FS-22-051	PL-22-051	51mm	13mm	FS-22-082	PL-22-082	82mm	13mm
FS-22-021	PL-22-021	21mm	10mm	FS-22-052	PL-22-052	52mm	13mm	FS-22-083	PL-22-083	83mm	13mm
FS-22-022	PL-22-022	22mm	10mm	FS-22-053	PL-22-053	53mm	13mm	FS-22-084	PL-22-084	84mm	13mm
FS-22-023	PL-22-023	23mm	10mm	FS-22-054	PL-22-054	54mm	13mm	FS-22-085	PL-22-085	85mm	13mm
FS-22-024	PL-22-024	24mm	10mm	FS-22-055	PL-22-055	55mm	13mm	FS-22-086	PL-22-086	86mm	13mm
FS-22-025	PL-22-025	25mm	10mm	FS-22-056	PL-22-056	56mm	13mm	FS-22-087	PL-22-087	87mm	13mm
FS-22-026	PL-22-026	26mm	10mm	FS-22-057	PL-22-057	57mm	13mm	FS-22-088	PL-22-088	88mm	13mm
FS-22-027	PL-22-027	27mm	10mm	FS-22-058	PL-22-058	58mm	13mm	FS-22-089	PL-22-089	89mm	13mm
FS-22-028	PL-22-028	28mm	10mm	FS-22-059	PL-22-059	59mm	13mm	FS-22-090	PL-22-090	90mm	13mm
FS-22-029	PL-22-029	29mm	10mm	FS-22-060	PL-22-060	60mm	13mm	FS-22-091	PL-22-091	91mm	13mm
FS-22-030	PL-22-030	30mm	10mm	FS-22-061	PL-22-061	61mm	13mm	FS-22-092	PL-22-092	92mm	13mm
FS-22-031	PL-22-031	31mm	10mm	FS-22-062	PL-22-062	62mm	13mm	FS-22-093	PL-22-093	93mm	13mm
FS-22-032	PL-22-032	32mm	10mm	FS-22-063	PL-22-063	63mm	13mm	FS-22-094	PL-22-094	94mm	13mm
FS-22-033	PL-22-033	33mm	10mm	FS-22-064	PL-22-064	64mm	13mm	FS-22-095	PL-22-095	95mm	13mm
FS-22-034	PL-22-034	34mm	10mm	FS-22-065	PL-22-065	65mm	13mm	FS-22-096	PL-22-096	96mm	13mm
FS-22-035	PL-22-035	35mm	10mm	FS-22-066	PL-22-066	66mm	13mm	FS-22-097	PL-22-097	97mm	13mm
FS-22-036	PL-22-036	36mm	10mm	FS-22-067	PL-22-067	67mm	13mm	FS-22-098	PL-22-098	98mm	13mm
FS-22-037	PL-22-037	37mm	10mm	FS-22-068	PL-22-068	68mm	13mm	FS-22-099	PL-22-099	99mm	13mm
FS-22-038	PL-22-038	38mm	10mm	FS-22-069	PL-22-069	69mm	13mm	FS-22-100	PL-22-100	100mm	13mm
FS-22-039	PL-22-039	39mm	10mm	FS-22-070	PL-22-070	70mm	13mm				
FS-22-040	PL-22-040	40mm	10mm	FS-22-071	PL-22-071	71mm	13mm				
FS-22-041	PL-22-041	41mm	10mm	FS-22-072	PL-22-072	72mm	13mm				
FS-22-042	PL-22-042	42mm	10mm	FS-22-073	PL-22-073	73mm	13mm				
FS-22-043	PL-22-043	43mm	13mm	FS-22-074	PL-22-074	74mm	13mm				
FS-22-044	PL-22-044	44mm	13mm	FS-22-075	PL-22-075	75mm	13mm				
FS-22-045	PL-22-045	45mm	13mm	FS-22-076	PL-22-076	76mm	13mm				

SPECIAL FEATURES

1. Designed for tough drilling on 5mm thick stainless steel sheet.
2. Flange stop prevents over drilling.
3. Low wear-off.

APPLICABLE MACHINERY

1. Electrical drills.
2. Drilling presses.
3. Magnetic drill presses.

MAIN APPLICATIONS

- Stainless steel, alloy steel, copper, aluminum, brass, square wares, cast irons, channel iron, iron plates, F,R,P, formed products, electrical controller box and any kind of metal working jobs.
- ▶ Stainless steel conversions, doors & windows, stairs rails, railings, screen doors, locks.
 - ▶ Manufacture of aluminum doors & windows.
 - ▶ Plumbing works, building A/C works.
 - ▶ Opening in machines, electrical control boxes.
 - ▶ Yachiht building, ship-building industry, F,R,P, industry.



ML-26
1-PLY

Model	ML-26 (1-PLY)
Type	Pass through max. 50mm & Assemble
Depth of Cut	5mm



PL-28
1-PLY

Model	PL-28 (1-PLY)
Type	Pass through max. 50mm & One piece
Depth of Cut	5mm

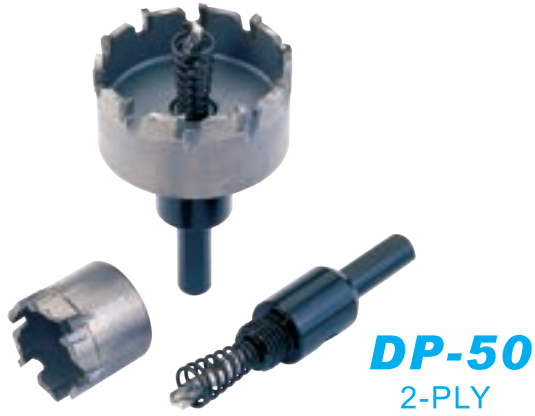
Part No. ML-26	Part No. PL-28	Diameter	Shank Diameter	Part No. ML-26	Part No. PL-28	Diameter	Shank Diameter	Part No. ML-26	Part No. PL-28	Diameter	Shank Diameter
ML-26-015	PL-28-015	15mm	10mm	ML-26-046	PL-28-046	46mm	13mm	ML-26-077	PL-28-077	77mm	13mm
ML-26-016	PL-28-016	16mm	10mm	ML-26-047	PL-28-047	47mm	13mm	ML-26-078	PL-28-078	78mm	13mm
ML-26-017	PL-28-017	17mm	10mm	ML-26-048	PL-28-048	48mm	13mm	ML-26-079	PL-28-079	79mm	13mm
ML-26-018	PL-28-018	18mm	10mm	ML-26-049	PL-28-049	49mm	13mm	ML-26-080	PL-28-080	80mm	13mm
ML-26-019	PL-28-019	19mm	10mm	ML-26-050	PL-28-050	50mm	13mm	ML-26-081	PL-28-081	81mm	13mm
ML-26-020	PL-28-020	20mm	10mm	ML-26-051	PL-28-051	51mm	13mm	ML-26-082	PL-28-082	82mm	13mm
ML-26-021	PL-28-021	21mm	10mm	ML-26-052	PL-28-052	52mm	13mm	ML-26-083	PL-28-083	83mm	13mm
ML-26-022	PL-28-022	22mm	10mm	ML-26-053	PL-28-053	53mm	13mm	ML-26-084	PL-28-084	84mm	13mm
ML-26-023	PL-28-023	23mm	10mm	ML-26-054	PL-28-054	54mm	13mm	ML-26-085	PL-28-085	85mm	13mm
ML-26-024	PL-28-024	24mm	10mm	ML-26-055	PL-28-055	55mm	13mm	ML-26-086	PL-28-086	86mm	13mm
ML-26-025	PL-28-025	25mm	10mm	ML-26-056	PL-28-056	56mm	13mm	ML-26-087	PL-28-087	87mm	13mm
ML-26-026	PL-28-026	26mm	10mm	ML-26-057	PL-28-057	57mm	13mm	ML-26-088	PL-28-088	88mm	13mm
ML-26-027	PL-28-027	27mm	10mm	ML-26-058	PL-28-058	58mm	13mm	ML-26-089	PL-28-089	89mm	13mm
ML-26-028	PL-28-028	28mm	10mm	ML-26-059	PL-28-059	59mm	13mm	ML-26-090	PL-28-090	90mm	13mm
ML-26-029	PL-28-029	29mm	10mm	ML-26-060	PL-28-060	60mm	13mm	ML-26-091	PL-28-091	91mm	13mm
ML-26-030	PL-28-030	30mm	10mm	ML-26-061	PL-28-061	61mm	13mm	ML-26-092	PL-28-092	92mm	13mm
ML-26-031	PL-28-031	31mm	10mm	ML-26-062	PL-28-062	62mm	13mm	ML-26-093	PL-28-093	93mm	13mm
ML-26-032	PL-28-032	32mm	10mm	ML-26-063	PL-28-063	63mm	13mm	ML-26-094	PL-28-094	94mm	13mm
ML-26-033	PL-28-033	33mm	10mm	ML-26-064	PL-28-064	64mm	13mm	ML-26-095	PL-28-095	95mm	13mm
ML-26-034	PL-28-034	34mm	10mm	ML-26-065	PL-28-065	65mm	13mm	ML-26-096	PL-28-096	96mm	13mm
ML-26-035	PL-28-035	35mm	10mm	ML-26-066	PL-28-066	66mm	13mm	ML-26-097	PL-28-097	97mm	13mm
ML-26-036	PL-28-036	36mm	10mm	ML-26-067	PL-28-067	67mm	13mm	ML-26-098	PL-28-098	98mm	13mm
ML-26-037	PL-28-037	37mm	10mm	ML-26-068	PL-28-068	68mm	13mm	ML-26-099	PL-28-099	99mm	13mm
ML-26-038	PL-28-038	38mm	10mm	ML-26-069	PL-28-069	69mm	13mm	ML-26-100	PL-28-100	100mm	13mm
ML-26-039	PL-28-039	39mm	10mm	ML-26-070	PL-28-070	70mm	13mm				
ML-26-040	PL-28-040	40mm	10mm	ML-26-071	PL-28-071	71mm	13mm				
ML-26-041	PL-28-041	41mm	10mm	ML-26-072	PL-28-072	72mm	13mm				
ML-26-042	PL-28-042	42mm	10mm	ML-26-073	PL-28-073	73mm	13mm				
ML-26-043	PL-28-043	43mm	13mm	ML-26-074	PL-28-074	74mm	13mm				
ML-26-044	PL-28-044	44mm	13mm	ML-26-075	PL-28-075	75mm	13mm				
ML-26-045	PL-28-045	45mm	13mm	ML-26-076	PL-28-076	76mm	13mm				

SPECIAL FEATURES

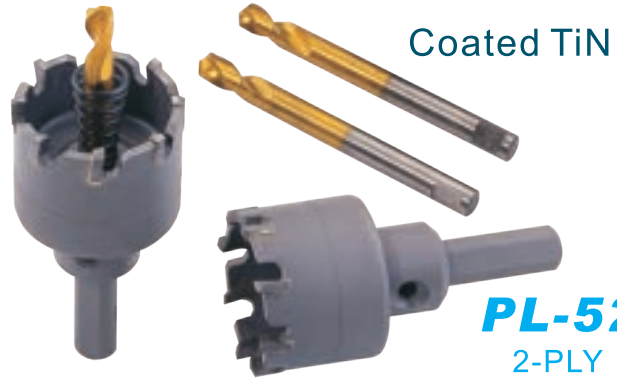
1. Designed for tough drilling on 5mm thick stainless steel sheet.
2. To make a deeper hole in one performance. Max. Depth to finish 50mm
3. Low wear-off.

MAIN APPLICATIONS

Stainless steel, alloy steel, copper, aluminum, brass, square wares, cast irons, channel iron, plates, F.R.P. formed products, electrical controller box and any kind of metal working jobs.



DP-50
2-PLY



PL-52
2-PLY

Model	DP-50 (2-PLY)
Type	Pass through max. 50mm & Assemble
Depth of Cut	5mm

Model	PL-52 (2-PLY)
Type	Pass through max. 50mm, Coated TiN & One piece
Depth of Cut	5mm

Part No. DP-50	Part No. PL-52	Diameter	Shank Diameter	Part No. DP-50	Part No. PL-52	Diameter	Shank Diameter	Part No. DP-50	Part No. PL-52	Diameter	Shank Diameter
DP-50-015	PL-52-015	15mm	10mm	DP-50-046	PL-52-046	46mm	13mm	DP-50-077	PL-52-077	77mm	13mm
DP-50-016	PL-52-016	16mm	10mm	DP-50-047	PL-52-047	47mm	13mm	DP-50-078	PL-52-078	78mm	13mm
DP-50-017	PL-52-017	17mm	10mm	DP-50-048	PL-52-048	48mm	13mm	DP-50-079	PL-52-079	79mm	13mm
DP-50-018	PL-52-018	18mm	10mm	DP-50-049	PL-52-049	49mm	13mm	DP-50-080	PL-52-080	80mm	13mm
DP-50-019	PL-52-019	19mm	10mm	DP-50-050	PL-52-050	50mm	13mm	DP-50-081	PL-52-081	81mm	13mm
DP-50-020	PL-52-020	20mm	10mm	DP-50-051	PL-52-051	51mm	13mm	DP-50-082	PL-52-082	82mm	13mm
DP-50-021	PL-52-021	21mm	10mm	DP-50-052	PL-52-052	52mm	13mm	DP-50-083	PL-52-083	83mm	13mm
DP-50-022	PL-52-022	22mm	10mm	DP-50-053	PL-52-053	53mm	13mm	DP-50-084	PL-52-084	84mm	13mm
DP-50-023	PL-52-023	23mm	10mm	DP-50-054	PL-52-054	54mm	13mm	DP-50-085	PL-52-085	85mm	13mm
DP-50-024	PL-52-024	24mm	10mm	DP-50-055	PL-52-055	55mm	13mm	DP-50-086	PL-52-086	86mm	13mm
DP-50-025	PL-52-025	25mm	10mm	DP-50-056	PL-52-056	56mm	13mm	DP-50-087	PL-52-087	87mm	13mm
DP-50-026	PL-52-026	26mm	10mm	DP-50-057	PL-52-057	57mm	13mm	DP-50-088	PL-52-088	88mm	13mm
DP-50-027	PL-52-027	27mm	10mm	DP-50-058	PL-52-058	58mm	13mm	DP-50-089	PL-52-089	89mm	13mm
DP-50-028	PL-52-028	28mm	10mm	DP-50-059	PL-52-059	59mm	13mm	DP-50-090	PL-52-090	90mm	13mm
DP-50-029	PL-52-029	29mm	10mm	DP-50-060	PL-52-060	60mm	13mm	DP-50-091	PL-52-091	91mm	13mm
DP-50-030	PL-52-030	30mm	10mm	DP-50-061	PL-52-061	61mm	13mm	DP-50-092	PL-52-092	92mm	13mm
DP-50-031	PL-52-031	31mm	10mm	DP-50-062	PL-52-062	62mm	13mm	DP-50-093	PL-52-093	93mm	13mm
DP-50-032	PL-52-032	32mm	10mm	DP-50-063	PL-52-063	63mm	13mm	DP-50-094	PL-52-094	94mm	13mm
DP-50-033	PL-52-033	33mm	10mm	DP-50-064	PL-52-064	64mm	13mm	DP-50-095	PL-52-095	95mm	13mm
DP-50-034	PL-52-034	34mm	10mm	DP-50-065	PL-52-065	65mm	13mm	DP-50-096	PL-52-096	96mm	13mm
DP-50-035	PL-52-035	35mm	10mm	DP-50-066	PL-52-066	66mm	13mm	DP-50-097	PL-52-097	97mm	13mm
DP-50-036	PL-52-036	36mm	10mm	DP-50-067	PL-52-067	67mm	13mm	DP-50-098	PL-52-098	98mm	13mm
DP-50-037	PL-52-037	37mm	10mm	DP-50-068	PL-52-068	68mm	13mm	DP-50-099	PL-52-099	99mm	13mm
DP-50-038	PL-52-038	38mm	10mm	DP-50-069	PL-52-069	69mm	13mm	DP-50-100	PL-52-100	100mm	13mm
DP-50-039	PL-52-039	39mm	10mm	DP-50-070	PL-52-070	70mm	13mm				
DP-50-040	PL-52-040	40mm	10mm	DP-50-071	PL-52-071	71mm	13mm				
DP-50-041	PL-52-041	41mm	10mm	DP-50-072	PL-52-072	72mm	13mm				
DP-50-042	PL-52-042	42mm	10mm	DP-50-073	PL-52-073	73mm	13mm				
DP-50-043	PL-52-043	43mm	13mm	DP-50-074	PL-52-074	74mm	13mm				
DP-50-044	PL-52-044	44mm	13mm	DP-50-075	PL-52-075	75mm	13mm				
DP-50-045	PL-52-045	45mm	13mm	DP-50-076	PL-52-076	76mm	13mm				

SPECIAL FEATURES

1. Designed for tough drilling on 5mm thick stainless steel sheet.
2. With flute design for getting rid of the chips easily.
3. Adapting big carbide tips to enforce the brazing firmly.
4. Tips ground to have sharp cutting edge to make a solid structure for tough cutting.
5. Strong body plus special treatment of make a solid structure for tough cutting.
6. Pass through all the way for Max. Depth 50mm.

MAIN APPLICATIONS

Especially designed for drilling on stainless steel pipe & tube and other wares or sheet with rough surface.



PLD-52

Coated TiN
2-PLY

Model	PL-52 (2-PLY)
Type	Pass through max. 50mm, Coated TiN & One piece
Depth of Cut	8mm

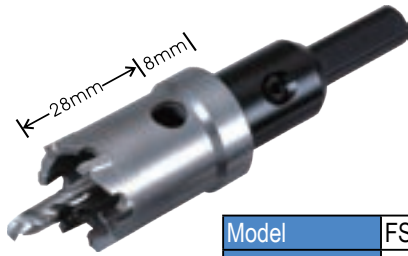
Part No. FS-22	Diameter	Shank Diameter	Part No. FS-22	Diameter	Shank Diameter	Part No. FS-22	Diameter	Shank Diameter
PLD-52-015	15mm	10mm	PLD-52-046	46mm	13mm	PLD-52-077	77mm	13mm
PLD-52-016	16mm	10mm	PLD-52-047	47mm	13mm	PLD-52-078	78mm	13mm
PLD-52-017	17mm	10mm	PLD-52-048	48mm	13mm	PLD-52-079	79mm	13mm
PLD-52-018	18mm	10mm	PLD-52-049	49mm	13mm	PLD-52-080	80mm	13mm
PLD-52-019	19mm	10mm	PLD-52-050	50mm	13mm	PLD-52-081	81mm	13mm
PLD-52-020	20mm	10mm	PLD-52-051	51mm	13mm	PLD-52-082	82mm	13mm
PLD-52-021	21mm	10mm	PLD-52-052	52mm	13mm	PLD-52-083	83mm	13mm
PLD-52-022	22mm	10mm	PLD-52-053	53mm	13mm	PLD-52-084	84mm	13mm
PLD-52-023	23mm	10mm	PLD-52-054	54mm	13mm	PLD-52-085	85mm	13mm
PLD-52-024	24mm	10mm	PLD-52-055	55mm	13mm	PLD-52-086	86mm	13mm
PLD-52-025	25mm	10mm	PLD-52-056	56mm	13mm	PLD-52-087	87mm	13mm
PLD-52-026	26mm	10mm	PLD-52-057	57mm	13mm	PLD-52-088	88mm	13mm
PLD-52-027	27mm	10mm	PLD-52-058	58mm	13mm	PLD-52-089	89mm	13mm
PLD-52-028	28mm	10mm	PLD-52-059	59mm	13mm	PLD-52-090	90mm	13mm
PLD-52-029	29mm	10mm	PLD-52-060	60mm	13mm	PLD-52-091	91mm	13mm
PLD-52-030	30mm	10mm	PLD-52-061	61mm	13mm	PLD-52-092	92mm	13mm
PLD-52-031	31mm	10mm	PLD-52-062	62mm	13mm	PLD-52-093	93mm	13mm
PLD-52-032	32mm	10mm	PLD-52-063	63mm	13mm	PLD-52-094	94mm	13mm
PLD-52-033	33mm	10mm	PLD-52-064	64mm	13mm	PLD-52-095	95mm	13mm
PLD-52-034	34mm	10mm	PLD-52-065	65mm	13mm	PLD-52-096	96mm	13mm
PLD-52-035	35mm	10mm	PLD-52-066	66mm	13mm	PLD-52-097	97mm	13mm
PLD-52-036	36mm	10mm	PLD-52-067	67mm	13mm	PLD-52-098	98mm	13mm
PLD-52-037	37mm	10mm	PLD-52-068	68mm	13mm	PLD-52-099	99mm	13mm
PLD-52-038	38mm	10mm	PLD-52-069	69mm	13mm	PLD-52-100	100mm	13mm
PLD-52-039	39mm	10mm	PLD-52-070	70mm	13mm			
PLD-52-040	40mm	10mm	PLD-52-071	71mm	13mm			
PLD-52-041	41mm	10mm	PLD-52-072	72mm	13mm			
PLD-52-042	42mm	10mm	PLD-52-073	73mm	13mm			
PLD-52-043	43mm	13mm	PLD-52-074	74mm	13mm			
PLD-52-044	44mm	13mm	PLD-52-075	75mm	13mm			
PLD-52-045	45mm	13mm	PLD-52-076	76mm	13mm			

SPECIAL FEATURES

1. For tough drilling on 8mm (5/16") thick stainless steel sheet or Iron plate.
2. To make a deeper hole in one performance. Max. Depth to finish 50mm.
3. With fluted design for getting rid of the chips easily.
4. Adapting big carbide tips to enforce the brazing firmly.
5. Tips ground to have sharp cutting edge to get powerful cutting.
6. Strong body plus special treatment to make a solid structure for tough cutting.

MAIN APPLICATIONS

Stainless steel, alloy steel, copper, aluminum, brass, square wares, cast irons, channel iron, iron plates, F.R.P. formed products, electrical controller box and any kind of metal working jobs.



FS-22L
2-PLY

Model	FS-22L (2-PLY)
Type	Stopper & Assemble
Depth of Cut	5mm



DP-50L 2-PLY
DEVELOPED FOR DRILLING IN STAINLESS PIPES

Model	DP-50L (2-PLY)
Type	Stopper, Flute & Assemble
Depth of Cut	5mm

Part No. FS-22L	Part No. DP-50L	Diameter	Shank Diameter	Part No. FS-22L	Part No. DP-50L	Diameter	Shank Diameter	Part No. FS-22L	Part No. DP-50L	Diameter	Shank Diameter
FS-22L-015	DP-50L-015	15mm	10mm	FS-22L-046	DP-50L-046	46mm	13mm	FS-22L-077	DP-50L-077	77mm	13mm
FS-22L-016	DP-50L-016	16mm	10mm	FS-22L-047	DP-50L-047	47mm	13mm	FS-22L-078	DP-50L-078	78mm	13mm
FS-22L-017	DP-50L-017	17mm	10mm	FS-22L-048	DP-50L-048	48mm	13mm	FS-22L-079	DP-50L-079	79mm	13mm
FS-22L-018	DP-50L-018	18mm	10mm	FS-22L-049	DP-50L-049	49mm	13mm	FS-22L-080	DP-50L-080	80mm	13mm
FS-22L-019	DP-50L-019	19mm	10mm	FS-22L-050	DP-50L-050	50mm	13mm	FS-22L-081	DP-50L-081	81mm	13mm
FS-22L-020	DP-50L-020	20mm	10mm	FS-22L-051	DP-50L-051	51mm	13mm	FS-22L-082	DP-50L-082	82mm	13mm
FS-22L-021	DP-50L-021	21mm	10mm	FS-22L-052	DP-50L-052	52mm	13mm	FS-22L-083	DP-50L-083	83mm	13mm
FS-22L-022	DP-50L-022	22mm	10mm	FS-22L-053	DP-50L-053	53mm	13mm	FS-22L-084	DP-50L-084	84mm	13mm
FS-22L-023	DP-50L-023	23mm	10mm	FS-22L-054	DP-50L-054	54mm	13mm	FS-22L-085	DP-50L-085	85mm	13mm
FS-22L-024	DP-50L-024	24mm	10mm	FS-22L-055	DP-50L-055	55mm	13mm	FS-22L-086	DP-50L-086	86mm	13mm
FS-22L-025	DP-50L-025	25mm	10mm	FS-22L-056	DP-50L-056	56mm	13mm	FS-22L-087	DP-50L-087	87mm	13mm
FS-22L-026	DP-50L-026	26mm	10mm	FS-22L-057	DP-50L-057	57mm	13mm	FS-22L-088	DP-50L-088	88mm	13mm
FS-22L-027	DP-50L-027	27mm	10mm	FS-22L-058	DP-50L-058	58mm	13mm	FS-22L-089	DP-50L-089	89mm	13mm
FS-22L-028	DP-50L-028	28mm	10mm	FS-22L-059	DP-50L-059	59mm	13mm	FS-22L-090	DP-50L-090	90mm	13mm
FS-22L-029	DP-50L-029	29mm	10mm	FS-22L-060	DP-50L-060	60mm	13mm	FS-22L-091	DP-50L-091	91mm	13mm
FS-22L-030	DP-50L-030	30mm	10mm	FS-22L-061	DP-50L-061	61mm	13mm	FS-22L-092	DP-50L-092	92mm	13mm
FS-22L-031	DP-50L-031	31mm	10mm	FS-22L-062	DP-50L-062	62mm	13mm	FS-22L-093	DP-50L-093	93mm	13mm
FS-22L-032	DP-50L-032	32mm	10mm	FS-22L-063	DP-50L-063	63mm	13mm	FS-22L-094	DP-50L-094	94mm	13mm
FS-22L-033	DP-50L-033	33mm	10mm	FS-22L-064	DP-50L-064	64mm	13mm	FS-22L-095	DP-50L-095	95mm	13mm
FS-22L-034	DP-50L-034	34mm	10mm	FS-22L-065	DP-50L-065	65mm	13mm	FS-22L-096	DP-50L-096	96mm	13mm
FS-22L-035	DP-50L-035	35mm	10mm	FS-22L-066	DP-50L-066	66mm	13mm	FS-22L-097	DP-50L-097	97mm	13mm
FS-22L-036	DP-50L-036	36mm	10mm	FS-22L-067	DP-50L-067	67mm	13mm	FS-22L-098	DP-50L-098	98mm	13mm
FS-22L-037	DP-50L-037	37mm	10mm	FS-22L-068	DP-50L-068	68mm	13mm	FS-22L-099	DP-50L-099	99mm	13mm
FS-22L-038	DP-50L-038	38mm	10mm	FS-22L-069	DP-50L-069	69mm	13mm	FS-22L-100	DP-50L-100	100mm	13mm
FS-22L-039	DP-50L-039	39mm	10mm	FS-22L-070	DP-50L-070	70mm	13mm				
FS-22L-040	DP-50L-040	40mm	10mm	FS-22L-071	DP-50L-071	71mm	13mm				
FS-22L-041	DP-50L-041	41mm	10mm	FS-22L-072	DP-50L-072	72mm	13mm				
FS-22L-042	DP-50L-042	42mm	10mm	FS-22L-073	DP-50L-073	73mm	13mm				
FS-22L-043	DP-50L-043	43mm	13mm	FS-22L-074	DP-50L-074	74mm	13mm				
FS-22L-044	DP-50L-044	44mm	13mm	FS-22L-075	DP-50L-075	75mm	13mm				
FS-22L-045	DP-50L-045	45mm	13mm	FS-22L-076	DP-50L-076	76mm	13mm				

MAIN APPLICATIONS FOR FS-22L

Especially designed for drilling on stainless steel pipe, tube and other wares or sheet with rough surface.

SPECIAL FEATURES FOR FS-22L

1. Designed for tough drilling on 5mm thick stainless steel sheets.
2. To make a deeper hole in one performance. Max. Depth to finish 28mm.
3. Flange stop prevents over drilling for safety while working.
4. With 2-PLY design to get powerful cutting. It's best for rough surface stainless steel or any kind of sheet metal.

This product also can be used in stainless steel pipe.

5. Low wear-off

SPECIAL FEATURES FOR DP-50L

This product is designed more functional, besides same as features with FS-22L.

1. Designed for tough drilling on 8mm thick stainless steel sheets.
2. With flute design for getting rid of the chips easily.
3. Developed for drilling in stainless pipes.

APPLICABLE MACHINERY

1. Electrical drills.
2. Drilling presses.
3. Magnetic drill presses.

MAIN APPLICATIONS FOR DP-50L

This product is for drill operation on stainless steel sheet or square wares, cast irons, iron plates and F.R.P. formed products.



PLD-250
3-PLY

Model	PLD-250 (3-PLY)
Type	Stopper & One piece
Depth of Cut	25mm



HS-16

Model	HS-16
Type	Stopper & Assemble
Depth of Cut	1.6mm

Part No. PLD-250	Diameter	Shank Diameter	Part No. PLD-250	Diameter	Shank Diameter	Part No. HS-16	Diameter	Shank Diameter	Part No. HS-16	Diameter	Shank Diameter
PLD-250-015	15mm	10mm	PLD-250-058	58mm	13mm	HS-16-013	13mm	10mm	HS-16-056	56mm	13mm
PLD-250-016	16mm	10mm	PLD-250-059	59mm	13mm	HS-16-014	14mm	10mm	HS-16-057	57mm	13mm
PLD-250-017	17mm	10mm	PLD-250-060	60mm	13mm	HS-16-015	15mm	10mm	HS-16-058	58mm	13mm
PLD-250-018	18mm	10mm	PLD-250-061	61mm	13mm	HS-16-016	16mm	10mm	HS-16-059	59mm	13mm
PLD-250-019	19mm	10mm	PLD-250-062	62mm	13mm	HS-16-017	17mm	10mm	HS-16-060	60mm	13mm
PLD-250-020	20mm	10mm	PLD-250-063	63mm	13mm	HS-16-018	18mm	10mm	HS-16-061	61mm	13mm
PLD-250-021	21mm	10mm	PLD-250-064	64mm	13mm	HS-16-019	19mm	10mm	HS-16-062	62mm	13mm
PLD-250-022	22mm	10mm	PLD-250-065	65mm	13mm	HS-16-020	20mm	10mm	HS-16-063	63mm	13mm
PLD-250-023	23mm	10mm	PLD-250-066	66mm	13mm	HS-16-021	21mm	10mm	HS-16-064	64mm	13mm
PLD-250-024	24mm	10mm	PLD-250-067	67mm	13mm	HS-16-022	22mm	10mm	HS-16-065	65mm	13mm
PLD-250-025	25mm	10mm	PLD-250-068	68mm	13mm	HS-16-023	23mm	10mm	HS-16-066	66mm	13mm
PLD-250-026	26mm	10mm	PLD-250-069	69mm	13mm	HS-16-024	24mm	10mm	HS-16-067	67mm	13mm
PLD-250-027	27mm	10mm	PLD-250-070	70mm	13mm	HS-16-025	25mm	10mm	HS-16-068	68mm	13mm
PLD-250-028	28mm	10mm	PLD-250-071	71mm	13mm	HS-16-026	26mm	10mm	HS-16-069	69mm	13mm
PLD-250-029	29mm	10mm	PLD-250-072	72mm	13mm	HS-16-027	27mm	10mm	HS-16-070	70mm	13mm
PLD-250-030	30mm	10mm	PLD-250-073	73mm	13mm	HS-16-028	28mm	10mm	HS-16-071	71mm	13mm
PLD-250-031	31mm	10mm	PLD-250-074	74mm	13mm	HS-16-029	29mm	10mm	HS-16-072	72mm	13mm
PLD-250-032	32mm	10mm	PLD-250-075	75mm	13mm	HS-16-030	30mm	10mm	HS-16-073	73mm	13mm
PLD-250-033	33mm	10mm	PLD-250-076	76mm	13mm	HS-16-031	31mm	10mm	HS-16-074	74mm	13mm
PLD-250-034	34mm	10mm	PLD-250-077	77mm	13mm	HS-16-032	32mm	10mm	HS-16-075	75mm	13mm
PLD-250-035	35mm	10mm	PLD-250-078	78mm	13mm	HS-16-033	33mm	10mm	HS-16-076	76mm	13mm
PLD-250-036	36mm	10mm	PLD-250-079	79mm	13mm	HS-16-034	34mm	10mm			
PLD-250-037	37mm	10mm	PLD-250-080	80mm	13mm	HS-16-035	35mm	10mm			
PLD-250-038	38mm	10mm	PLD-250-081	81mm	13mm	HS-16-036	36mm	10mm			
PLD-250-039	39mm	10mm	PLD-250-082	82mm	13mm	HS-16-037	37mm	10mm			
PLD-250-040	40mm	10mm	PLD-250-083	83mm	13mm	HS-16-038	38mm	10mm			
PLD-250-041	41mm	10mm	PLD-250-084	84mm	13mm	HS-16-039	39mm	10mm			
PLD-250-042	42mm	10mm	PLD-250-085	85mm	13mm	HS-16-040	40mm	10mm			
PLD-250-043	43mm	13mm	PLD-250-086	86mm	13mm	HS-16-041	41mm	10mm			
PLD-250-044	44mm	13mm	PLD-250-087	87mm	13mm	HS-16-042	42mm	10mm			
PLD-250-045	45mm	13mm	PLD-250-088	88mm	13mm	HS-16-043	43mm	13mm			
PLD-250-046	46mm	13mm	PLD-250-089	89mm	13mm	HS-16-044	44mm	13mm			
PLD-250-047	47mm	13mm	PLD-250-090	90mm	13mm	HS-16-045	45mm	13mm			
PLD-250-048	48mm	13mm	PLD-250-091	91mm	13mm	HS-16-046	46mm	13mm			
PLD-250-049	49mm	13mm	PLD-250-092	92mm	13mm	HS-16-047	47mm	13mm			
PLD-250-050	50mm	13mm	PLD-250-093	93mm	13mm	HS-16-048	48mm	13mm			
PLD-250-051	51mm	13mm	PLD-250-094	94mm	13mm	HS-16-049	49mm	13mm			
PLD-250-052	52mm	13mm	PLD-250-095	95mm	13mm	HS-16-050	50mm	13mm			
PLD-250-053	53mm	13mm	PLD-250-096	96mm	13mm	HS-16-051	51mm	13mm			
PLD-250-054	54mm	13mm	PLD-250-097	97mm	13mm	HS-16-052	52mm	13mm			
PLD-250-055	55mm	13mm	PLD-250-098	98mm	13mm	HS-16-053	53mm	13mm			
PLD-250-056	56mm	13mm	PLD-250-099	99mm	13mm	HS-16-054	54mm	13mm			
PLD-250-057	57mm	13mm	PLD-250-100	100mm	13mm	HS-16-055	55mm	13mm			

QUICK IN KITS

HSQ-7 TCT HOLE SAW KITS



QUICK CHANG ARBOR

- ▶ QUICK Chang arbor allows you to change cutter head with a simple push and a turn



FLANGE STOP

- ▶ Flange stop prevents the operator from over drilling beyond sheet metal.

EJECTOR SPRING

- ▶ Ejector Spring on all sizes and makes removal of slug easier.

LONG TOOL LIFE

- ▶ Heat resistant carbide teeth for long life in stainless steel and any kind of metal cutting.

CUTTING DEPTH AND APPLICATIONS

- ▶ Cuts quick precise holes in stainless steel, mild steel, iron, copper, and broadsheet up to 3/16" (5 mm) thick.



7 PIECE HOLE SAW KIT

- ▶ 3/4" , 7/8" , 1" , 1-1/8" , 1-3/8" , 1-3/4" , 2"

INCLUDED

- ▶ Quick change arbor x 1pc
- ▶ Pilot drill x 2pcs
- ▶ Spring x 2pcs
- ▶ Hex Key x 2pcs



T.C.T. HOLE SAW KITS



HSK-7A
HSK-7B
HSK-7C



SPECIAL FEATURES

1. Use the same arbor for different-size saw heads.
2. Change saw heads with a simple push and turn the screw to be fixed.
3. H.S.S. center drill is replaceable.
4. Arbor's shank drill is replaceable.
5. Spring can help slug removal.

THE KIT CONTAINS

Saw heads:

A (19~35mm): 19, 22, 25, 28, 30, 32, 35mm each size one piece.

B (30~51mm): 30, 32, 35, 38, 40, 45, 51mm each size one piece.

C (19~51mm): 19, 22, 25, 28, 35, 45, 51mm each size one piece.

Arbor and spring x 1pc

H.S.S. center pilot drill x 2pcs

Hex spanner: 2.5mm x 1pc and 4.0mm x 1pc

Case x unit.

OPTIONAL SAW HEADS

A. 19mm~35mm identical or different size saw heads.

B. 30mm~51mm identical or different size saw heads.

C. 19mm~51mm identical or different size saw heads.

SPECIAL APPLICATIONS

1. Can combine a deeper hole cutter with electrical drills and drilling presses.
2. Ideal designed . jaw chucks for thicker metal plate hole cutting.

MAIN APPLICATIONS

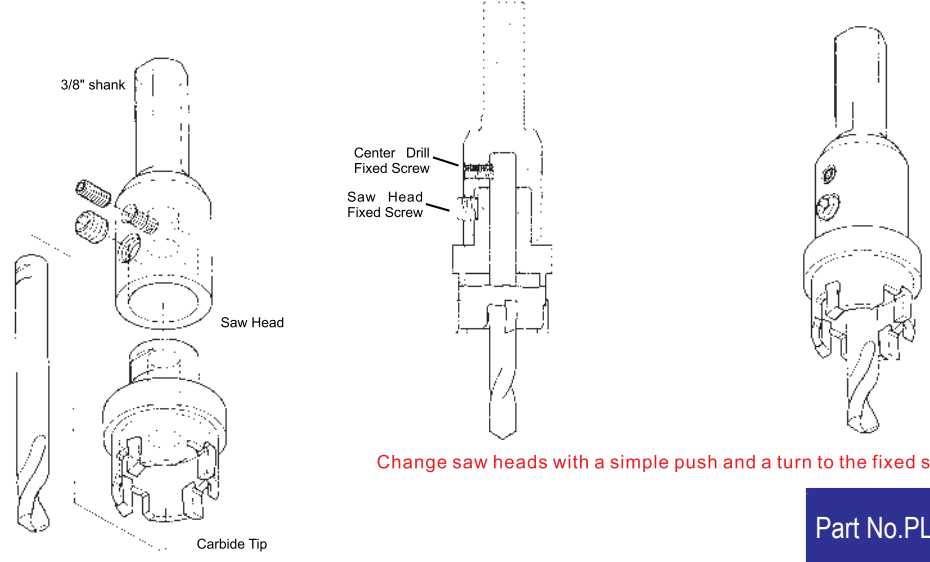
The operation of a hole on—

- ▶ Stainless steel sheet, square wares and pipes.
As doors & windows, stair rails—
- ▶ Aluminum doors & windows.
- ▶ Electrical boxes, or opening in machines.
- ▶ Iron plate or cast iron.
- ▶ F.R.P formed products.
As yacht building, ship-buiding
- ▶ Wooden doors or household appliances.

Changing saw heads lot faster and easier when every second counts, your replace different-size saw heads.



HOLE SAW SETUP INTRODUCTION



Change saw heads with a simple push and a turn to the fixed screw.



Part No.PL-13	Diameter	Shank Diameter
PL-13-015	15mm	10mm
PL-13-016	16mm	10mm
PL-13-017	17mm	10mm
PL-13-018	18mm	10mm
PL-13-019	19mm	10mm
PL-13-020	20mm	10mm
PL-13-021	21mm	10mm
PL-13-022	22mm	10mm
PL-13-023	23mm	10mm
PL-13-024	24mm	10mm
PL-13-025	25mm	10mm
PL-13-026	26mm	10mm
PL-13-027	27mm	10mm
PL-13-028	28mm	10mm
PL-13-029	29mm	10mm
PL-13-030	30mm	10mm
PL-13-031	31mm	10mm
PL-13-032	32mm	10mm
PL-13-033	33mm	10mm
PL-13-034	34mm	10mm
PL-13-035	35mm	10mm
PL-13-036	36mm	10mm
PL-13-037	37mm	10mm
PL-13-038	38mm	10mm
PL-13-039	39mm	10mm
PL-13-040	40mm	10mm

Item	Description
PL-13 (one piece type)	complete with shank 10mm. HSS-pilot drill, spring and allen key each 1pc.
PL-13SA6 (6pcs in a set)	16mm,19mm,22mm,25mm,30mm,35mm extra accessories: HSS-pilot x 1pc, Allen Key x 1pc.
PL-13SB6 (6pcs in a set)	22mm,25mm,30mm,35mm,38mm,40mm extra accessories: HSS-pilot x 1pc, Allen Key x 1pc.

※ Products details, please see page 16

T.C.T. CORDLESS DRILL BITS HOLE SAWS



T.C.T. CORDLESS DRILL BITS HOLE SAW

- 1.The best system for drilling sheet metal.
- 2.The perfect portable tool for the professional electrician, plumber, mechanic and general contractor. A productive and cost effective alternative to bi-metal hole saws specifically engineered for cordless power tools.
- 3.Up to 150 holes per cutter in stainless steel.
- 4.Engineered for cutting thin materials up to 3mm.
- 5.Designed with 3 carbide teeth and thinner walls to reduce friction.
- 6.Ideal for cordless tools/ require less torque.
- 7.Cut stainless steel, sheet metal and tubing.



APPLICATIONS

- Junction/ Switch Boxes
- Metal studs
- Electrical Appliances
- Lighting Fixtures
- Auto Body Repair

Part No. PL-13B	Part No. ML-26B	Diameter	Shank Diameter
PL-13B-015	ML-26B-015	15mm	10mm
PL-13B-016	ML-26B-016	16mm	10mm
PL-13B-017	ML-26B-017	17mm	10mm
PL-13B-018	ML-26B-018	18mm	10mm
PL-13B-019	ML-26B-019	19mm	10mm
PL-13B-020	ML-26B-020	20mm	10mm
PL-13B-021	ML-26B-021	21mm	10mm
PL-13B-022	ML-26B-022	22mm	10mm
PL-13B-023	ML-26B-023	23mm	10mm
PL-13B-024	ML-26B-024	24mm	10mm
PL-13B-025	ML-26B-025	25mm	10mm
PL-13B-026	ML-26B-026	26mm	10mm
PL-13B-027	ML-26B-027	27mm	10mm
PL-13B-028	ML-26B-028	28mm	10mm
PL-13B-029	ML-26B-029	29mm	10mm
PL-13B-030	ML-26B-030	30mm	10mm
PL-13B-031	ML-26B-031	31mm	10mm
PL-13B-032	ML-26B-032	32mm	10mm
PL-13B-033	ML-26B-033	33mm	10mm
PL-13B-034	ML-26B-034	34mm	10mm
PL-13B-035	ML-26B-035	35mm	10mm
PL-13B-036	ML-26B-036	36mm	10mm
PL-13B-037	ML-26B-037	37mm	10mm
PL-13B-038	ML-26B-038	38mm	10mm
PL-13B-039	ML-26B-039	39mm	10mm
PL-13B-040	ML-26B-040	40mm	10mm



Size Available: 15mm - 40mm

Speed Recommendation		
Size	Steel (rpm)	Stainless Steel(rpm)
15mm - 21mm	700-1000	300-700
22mm - 30mm	500-800	200-450
31mm - 40mm	300-600	175-315

Item	Description
PL-13B	Complete with hex shank 6.30 mm, HSS-(one piece type) pilot drill, spring and allen key each 1pc.
ML-26B	Complete with hex shank 6.30 mm, HSS-(combination type) pilot drill, spring and allen key each 1pc.

T.C.T. WOOD HOLE SAW



AW-360

AW

MODEL	AW-360
Cutting Depth	36mm
Available Diameter	Ø 20-100mm

USE ON FOLLOWING MACHINES

- ▶ Pillar drilling machines up to 60mm in wood.
- ▶ Portable drilling machines up to 60mm in wood.

AVAILABLE WORKING SHEET



non ferrous metals (aluminum) up to 36mm/60mm



wood up to 36mm/60mm



plastics up to 36mm/60mm

APPLICATIONS

- ▶ Ø20mm~100mm(AW-360) complete with shank 13mm, HSS (or S45C)-pilot drill, spring and allen key.
- ▶ Developed for fast drilling in wood, chip board, plywood, compressed paper, PVC, glass fiber reinforced plastic, gs concrete (Ytong), plasterboard, clay tiles and hollow gauged brick/ston, tiles up to scratch hardness 6.
- ▶ Because of large tooth pitch fast cutting without burning marks on the material.



CUP

MODEL	AW-360
Effective Length	36mm
Overall Length	46mm



S45C PILOT DRILL

5.95 x 78L for AW-360
5.95 x 100L for AW-600
For Wood



HSS PILOT DRILL

5.95 x 78L for AW-360
For Aluminum & Wood



SPRING

Best choice for variable thickness in working sheet

Normal	2 springs
Medium	1 spring
Deepest	no spring

For Rid Off the Chips



ARBOUR / SHAFT

Thread	½"x20UNF (or M14 x P1.5)
Tool Holder Wrench Size	13mm

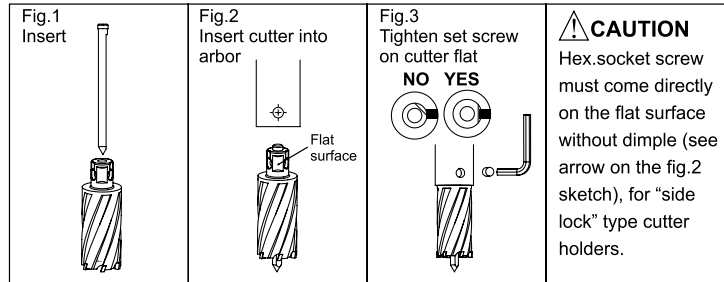
For Adapt Base Body

T.C.T. ANNULAR CUTTER & HOLE SAW R.P.M. TABLE

TUNGSTEN CARBIDE TIPPED ANNULAR CUTTER MANUAL

OPERATING INSTRUCTIONS

- ▶ Before using, insert pilot pin into TCT annular cutter than insert cutter into machine arbor and last tighten set screw on cutter flat.
- ▶ Before cutting, make sure all part to be locked surely.



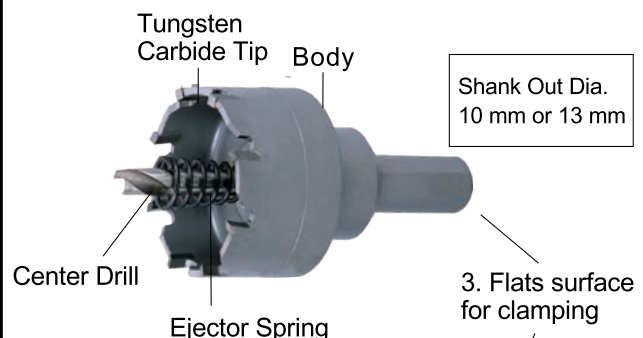
SPEED RECOMMENDATION

R.P.M. TABLE			
Diameter Ø mm	Steel Plate	Stainless Steel	Cast Iron
Ø13 mm~Ø 18mm	1190 - 800	1000 - 500	1790 - 1390
Ø19 mm~Ø 25mm	1160 - 710	890 - 440	1590 - 1240
Ø26 mm~Ø 30mm	960 - 640	800 - 400	1430 - 1110
Ø31 mm~Ø 35mm	870 - 570	720 - 360	1300 - 1010
Ø36 mm~Ø 40mm	760 - 510	640 - 320	1140 - 890
Ø41 mm~Ø 50mm	640 - 430	530 - 270	950 - 740
Ø51 mm~Ø 55mm	550 - 360	460 - 230	810 - 630
Ø56 mm~Ø 60mm	480 - 320	400 - 200	710 - 550
Ø61 mm~Ø 65mm	430 - 280	350 - 170	630 - 490
Ø66 mm~Ø 70mm	380 - 260	320 - 160	570 - 440
Ø71 mm~Ø 80mm	320 - 220	260 - 120	490 - 360
Ø81 mm~Ø 90mm	260 - 180	200 - 100	420 - 290
Ø91mm~Ø100mm	220 - 150	160 - 90	350 - 190

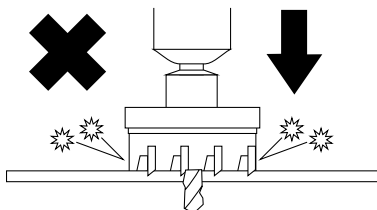
TUNGSTEN CARBIDE TIPPED HOLE SAW MANUAL

R.P.M. TABLE

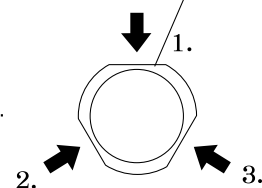
DIA (MM)	STEEL PLATE	STAINLESS	CAST IRON
14-19	1190~800	1000~500	1790~1390
20-30	1160~710	890~440	1590~1240
31-40	960~640	800~400	1430~1110
41-50	870~570	720~360	1300~1010
51-60	760~510	640~320	1140~890
61-70	640~430	530~270	950~740
71-80	550~360	460~230	810~630
81-90	480~320	400~200	710~550
91-100	430~280	350~170	630~490
101-120	380~260	320~160	570~440
121-150	200~100	120~60	390~280



⚠ Do not press the blades strongly onto the materials to be cut after the pilot drill penetration is completed.



⚠ Attach the shank securely at the three chucking points.



MAGNETIC BASE DRILLING MACHINE

With wide range of machine styles, sizes and designs!
Machine to suit every application!
Japan armature to increase machine life time!
Light weight and easy operate!

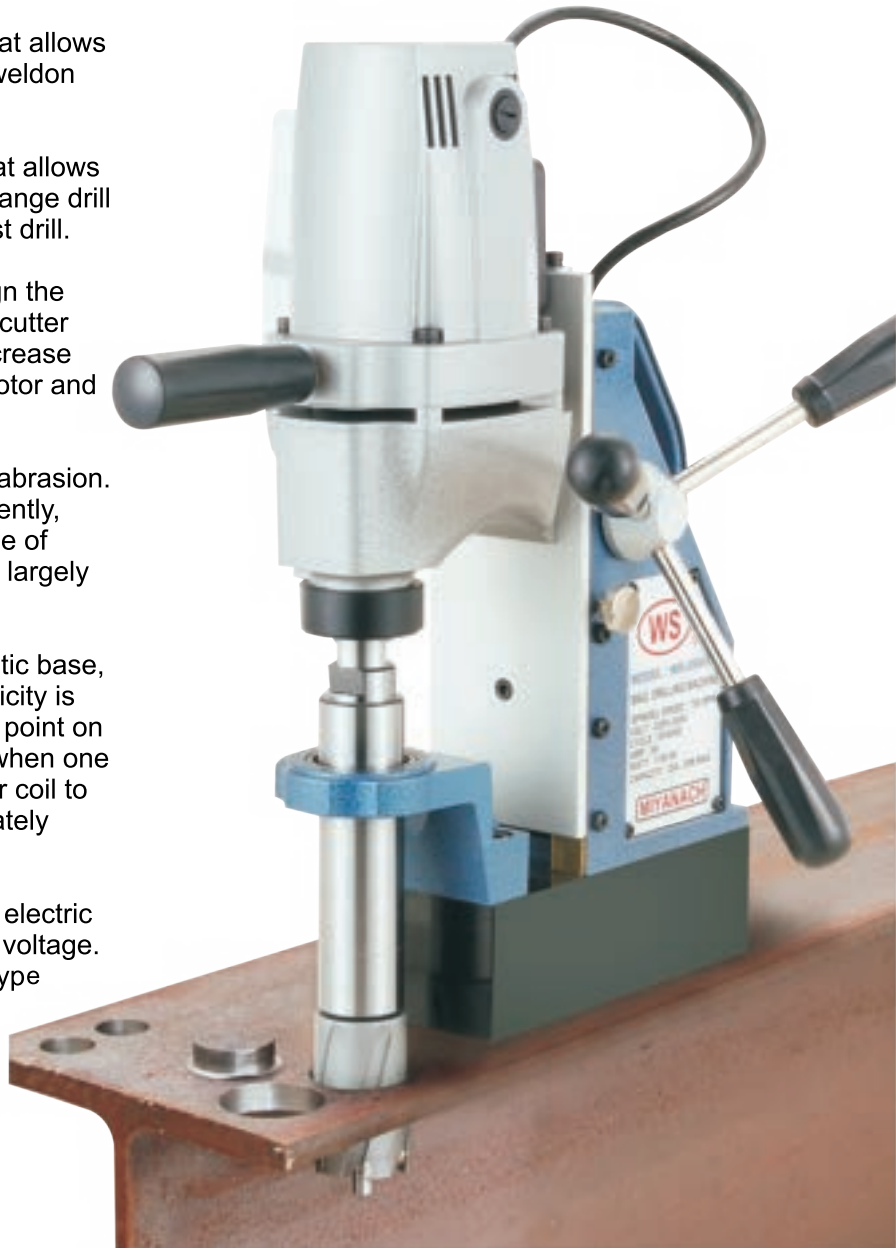


PORTABLE MAGNETIC BASE DRILLING MACHINE

WS-3500M

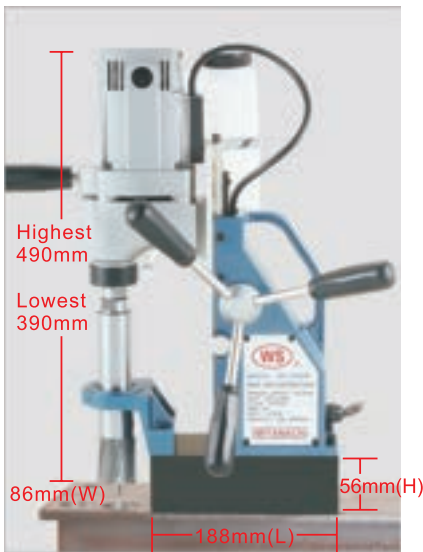
SPECIAL FEATURES:

1. Serves as two modes of cutter that allows loading in a one touch shank or weldon shank.
2. Serves as two types of drilling that allows loading in an annular cutter or change drill duck with adaptor for loading twist drill.
3. Arbor support bracket help to align the cutter precisely, which increases cutter and motor life. This design for increase main shaft stability that avoids motor and main shaft vibration.
4. Roller bearing design for reduce abrasion. The cutter no need replace frequently, therefore may reduce the expense of replacement, and simultaneously largely lengthens the cutter life.
5. Designed with double coil magnetic base, the front coil will start while electricity is entering. It can adjust the central point on work sheet, and simultaneously when one coil burning that still keep another coil to hold work sheet to avoid immediately danger. It is high safety design.
6. Switch PC board design may put electric current in order and constant the voltage. The stability better than manual type switchboard.
7. Light weight, only 14kg.



PORTABLE MAGNETIC BASE DRILLING MACHINE

WS-3500M MANUAL FEED



MACHINE SPECIFICATIONS		
Model	WS-3500M	
Voltage (Single Phase)	100 ~ 120V AC 50 / 60 HZ	220 ~ 240V AC 50 / 60 HZ
Motor Rated Power Consumption	1100 W	
Motor Rated Ampere	10 A	5 A
No-load Speed	780 rpm	
Tool Adaptor Inner Diameter	19.05mm	
Adjustable in height for max. stroke	100mm	
Coolant Supply	via Tool Holder	
Magnet Power Consumption	38W	
Magnet Adhesion	15680 N / 1600 kgf	
Magnet Dimensions	188mm x 86mm x 56mm	
Weight	14kg	
HOLE-CUTTING CAPACITY		
Annular Cutter	Out Diameter	Plate Thickness
	13-35mm(Standard)	9-50mm(Standard)
Twist Drill	1-13mm	
STANDARD ACCESSORIES		
1. Pilot Pin 8.0 x 91mm : 1pc 2. Double Open End Wrench : 1pc 3. Hex. Key Wrench 2.5mm : 1pc 6.0mm : 1pc 4. Operating Handle : 3 pcs 5. Lifting Handle : 1 pc 6. Fuse Block : 1 pc 7. Carbon Brush : 1 set 8. Fixed screw : 1 pc		
OPTIONAL ACCESSORIES		
1. Drill Chuck adaptor arbour 2. Drill Chuck 3. Annular Cutter (one touch or weldon shank) 13mm - 40mm (for 35mm or 50mm thickness) 4. Twist Drill (1 - 13mm) 5. Twist Drill Adaptor 6. Safety Belt or Chain		



PORTABLE MAGNETIC BASE DRILLING MACHINE



WS-4500M



SPECIAL FEATURES:

1. Serves as two modes of cutter that allows loading in a one touch shank or weldon shank.
2. Serves as two types of drilling that allows loading in an annular cutter or change drill duck with adaptor for loading twist drill.
3. Arbor support bracket help to align the cutter precisely, which increase cutter and motor life. This design for increase main shaft stability that avoids motor and main shaft vibration.
4. Roller bearing design for reduce abrasion. The cutter no need replace frequently, therefore may reduce the expense of replacement, and simultaneously largely lengthens the cutter life.
5. Designed with dual coil magthens base, the front coil will start while electricity is entering. It can adjust the central point on work sheet, and simultaneously when one coil burning that still keep another coil to hold work sheet to avoid immediately danger. It is high safety consideration.
6. Switch PC board design may put electric current in order and constant the voltage. The stability better than manual type switchboard.
7. Light weight, only 15kg.

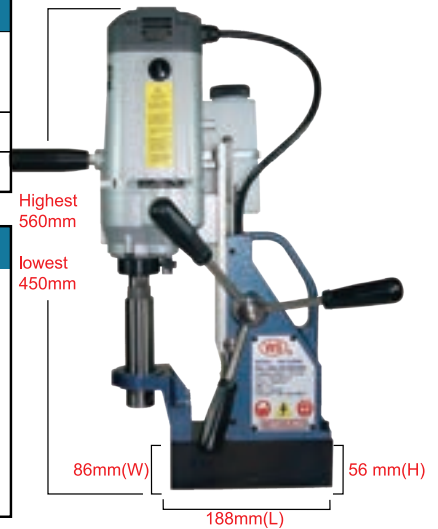
PORTABLE MAGNETIC BASE DRILLING MACHINE

WS-4500M MANUAL FEED

MACHINE SPECIFICATIONS		
Model	WS-4500M	
Voltage (Single Phase)	100 ~ 120V AC	220 ~ 240V AC
	50 / 60 HZ	50 / 60 HZ
Motor Rated Power Consumption	1850 W	
Motor Rated Ampere	15A	7.5A
No-load Speed	650~720 rpm	
Tool Adaptor Inner Diameter	19.05mm	
Adjustable in height for max. stroke	100mm	
Coolant Supply	via Tool Holder	
Magnet Power Consumption	38W	
Magnet Adhesion	15680 N /1600kgf	
Magnet Dimensions	188mm x 86mm x 56mm	
Weight	15 kg	



HOLE-CUTTING CAPACITY		
Annular Cutter	Outer Diameter 18-45mm	Plate Thickness 9-50mm
Drill Chuck & Twist Drill	Max. Outer Diameter 13mm	
Special Adaptor & Twist Drill	6-12mm	



STANDARD ACCESSORIES	
1. Pilot Pin 8.0 x 91mm : 1pc	4. Operating Handle : 3 pcs
2. Double Open End Wrench : 1 pc	5. Lifting Handle : 1 pc
3. Hex. Key Wrench 2.5mm : 1pc 4.0mm : 1pc 6.0mm : 1pc	6. Fuse Block : 1 pc
	7. Carbon Brush : 1 set
	8. Fixed Screw : 1 pc
	9. Operation Manual : 1 copy



OPTIONAL ACCESSORIES
1. Annular cutter (one touch or weldon shank) 18mm - 45mm (for 35mm or 50mm thickness)
2. Adaptor arbor of drill chuck
3. Drill chuck
4. Twist Drill (Max.13mm)
5. Special Adaptor & Twist Drill 6-12mm
6. Miyanach X-1 Cutting Oil : 2L / per can
7. Safety Chain

WS-6000M

PORTABLE MAGNETIC BASE DRILLING MACHINE



Reversible Switch Panel.

SPEED CONTROL:

- The machine is designed with low and high-speed options that allows the operator to make an appropriate choiec for R.P.M.

TOOL ADAPTOR DESIGN:

- Serves as two modes of drilling that allows loading in "annular cutter" or " twist drill" etc.

DOUBLE COIL MAGNETIC BASE :

- When the power outage or any coil burning that still keeps another coil to avoid danger.

ROLLER BEARING :

- Lowes the cutter damage rate.

ARBOR SUPPORT BRACKET :

- Aligns the cutter precisely, increase cutter, motor life and less tool arbor vibration.

SWITCH PC BOARD :

- Regulate the voltage to avoid burning.

MAIN APPLICATION:

- Especially designed for general heavy duty machine or difficult to shift the objects such as skeleton of high building, H-structural steels, large steel plates, shaped bars, framework and other machinery, shipbuilding, bridges, reinforcements, construction materials and steam furnace etc hole drilling.



POWER & PERFORMANCE:

- Designed with the greatest possible consideration for lasting smooth powerful performance that reducing cutter crack probability to be lowers cutter cost.



PORTABLE MAGNETIC BASE DRILLING MACHINE

WS-6000M MANUAL FEED

MACHINE SPECIFICATIONS		
Model	WS-6000M	
Voltage (Single Phase)	100 ~ 120V AC 50 / 60 HZ	220 ~ 240V AC 50 / 60 HZ
Motor Rated Power Consumption	2050 W	
Motor Rated Ampere	20 A	10 A
No-load Speed (2 speeds)	High Speed 750 rpm	Dia. 13 (1/2") ~ 35mm (1-3/8")
	Low Speed 450 rpm	Dia. 36 (1-7/16") ~ 60mm (2-3/8")
Tool Adaptor Inner Diameter	19.05 mm	
Adjustable in height for max. stroke	135 mm	
Coolant Supply	via Tool Holder	
Magnet Power Consumption	85W	
Magnet Adhesion	22540 N / 2300 kgf	
Magnet Dimensions	210mm x 100mm x 64mm	
Weight	23kg	



HOLE-CUTTING CAPACITY		
Annular Cutter	Out Diameter	Plate Thickness
	18-60mm	6-75mm
Twist Drill	Max. Dia. 16mm	

Standard Accessories	Optional Accessories
1. Pilot Pin 8.0 x 91mm : 1pc Pilot Pin 8.0 x 112mm : 1pc 2. Double Open End Wrench : 1pc 3. Hex. Key Wrench 2.5mm : 1pc 6.0mm : 1pc 4. Operating Handle : 3 pcs 5. Lifting Handle : 1 pc 6. Carbon Brush : 1 set 7. Fixed Screw : 1 pc 8. Operation Manual : 1 copy	1. Drill Chuck adaptor arbor 2. Drill Chuck 3. Annular Cutter (one touch or weldon shank) 18mm - 60mm (for 35mm > 50mm or 75mm thickness) 4. Twist Drill (1 - 16mm) 5. Miyanach X-1 Cutting Oil : 2L / per can



PORTABLE MAGNETIC BASE DRILLING MACHINE WS-6025MT

SPEED CONTROL:

- The machine is designed with low and high-speed options that allows the operator to make an appropriate choice for R.P.M.

TOOL ADAPTOR DESIGN:

- Serves as two modes of drilling that allows loading in "annular cutter" or "twist drill" etc.

DUAL COIL MAGNETIC BASE :

- When the power outage or any coil burning that still keeps another coil to avoid danger.

ARBOR SUPPORT BRACKET :

- Aligns the cutter precisely, increase cutter, motor life and less tool arbor vibration.

SWITCH PC BOARD :

- Regulate the voltage to avoid burning.



MAIN APPLICATION:

- Especially designed for general heavy duty machine or difficult to shift the objects such as skeleton of high building, H-structural steels, large steel plates, shaped bars, framework, and other machinery, shipbuilding, bridges, reinforcements, construction materials and steam furnace etc hole drilling.

POWER & PERFORMANCE:

- Designed with the greatest possible consideration for lasting smooth powerful performance that reducing cutter crack probability to be lowers cutter cost.



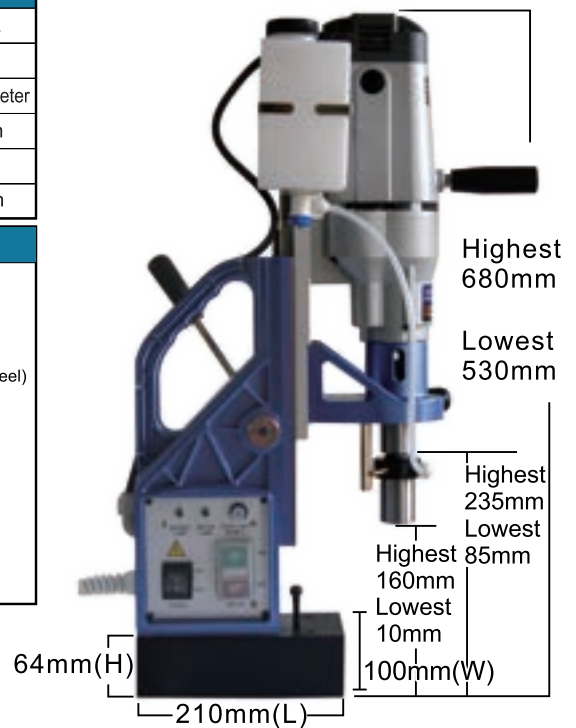
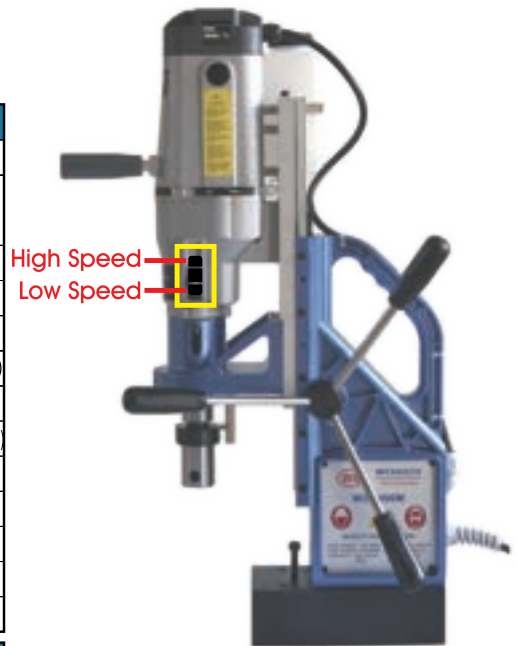
PORTABLE MAGNETIC BASE DRILLING MACHINE

WS-6025MT MANUAL FEED

MACHINE SPECIFICATIONS		
Model	6025MT	
Voltage (Single Phase)	100 ~ 120V AC 50 / 60 Hz	220 ~ 240V AC 50 / 60 Hz
Motor Rated Power Consumption	2050 W	
Motor Rated Ampere	20 A	10 A
No-load Speed (2 Speeds)	High Speed 720 rpm	Dia. 13 (1/2") ~ 35mm (1-3/8")
	Low Speed 400 rpm	Dia. 36 (1-7/16") ~ 60mm (2-3/8")
Tool Adaptor Inner Diameter	19.05 mm	
Adjustable in height for max. stroke	150 mm (without MT3:235mm(H),85mm(L), with MT3:160mm(H),10mm(L))	
Coolant Supply	via Tool Holder	
Magnet Power Consumption	85W	
Magnet Adhesion	22540 N / 2300 kgf	
Magnet Dimensions	210mm x 100mm x 64mm	
Weight	26kg	

HOLE-CUTTING CAPACITY		
MT3 (Morse Taper) with annular cutter holder	Outer Diameter	Plate Thickness
	18-60mm	6-50mm
MT3 (Morse Taper) with drill chuck holder	Jacobs Taper	Drill Chuck Max. Diameter
	JT6	Max. Dia. 16mm
Twist Drill	Max. Dia. 25mm	
Noss Straight Shank Twist Drill	Shank 1/2" , Max. Outer Diameter 16mm	

STANDARD ACCESSORIES	OPTIONAL ACCESSORIES
1. MT-3 with annular cutter holder 2. Hand Drift : 1pc 3. Pilot Pin 8.0 x 91mm : 1pc 8.0 x 112mm : 1pc 4. Double Open End Wrench : 1pc 5. Hex. Key Wrench 2.5mm : 1pc 4.0mm : 1pc 6.0mm : 1pc 6. Operating Handle : 3pcs 7. Lifting Handle : 1pc 8. Carbon Brush : 1 set 9. Fixed Screw : 1pc 10. Machine Manual : 1 copy	1. MT3 with drill chuck holder 2. Twist Drill 3. Noss Straight Shank Twist Drill 4. Annular Cutter (one touch or weldon shank) 18mm - 60mm (for 35mm or 50mm thickness steel) 5. Miyanach X-1 Cutting Oil : 2L / per can 6. Safety Chain



DRILLING MACHINE FOR PIPE WS-3500CH

- ▶ Special for round pipes or irregular objects use , which can cutting holes in various types of pipes quickly.
- ▶ It is suitable for diameter 1-1/4" to 5-1/4" pipes and less than 100mm diameter holes.
- ▶ Pipe clamps and chain clamps are built in the machine, which can adjust and fix round pipes of different sizes.
- ▶ The spirit level design can align multiple holes and fix the machine accurately to avoid offset.



Spirit Level

Chain Lock Handle



V Sharped Fixed Base



Heavy Duty Chain
(2 pieces)

MACHINE SPECIFICATIONS

Product No.	WS-3500CH	
Voltage (Single Phase)	100 ~ 120V AC	220 ~ 240V AC
	50 / 60 HZ	50 / 60 HZ
Motor Rated Ampere	10A	5A
Overload Protection (Glass Tube Fuse)	15A	10A
Motor Rated Power Consumption	1100W	
No-load Speed	780 rpm	
Adjustable in height for max. stroke	100mm	
Machine Dimensions	Highest : 30 x 16 x 48cm	Lowest : 30 x 16 x 37.5cm
Weight	12kg	

CUTTER & WORKING ITEM SUITABLE SPECIFICATIONS

Capacity of Max. Cutting (Hole Cutter)	CUTTER DIAMETER	
	100mm	
Capacity of Twist Drill & Drill Chuck	1-16mm	
Capacity of Pipe Set Up Diameter	32-150mm	
Capacity of Different Materials	TCT Hole Saw	13-100mm
	Bi-Metal Hole Saw	32-100mm
	TCT or H.S.S. Annular Cutter	Need Special Holder
Supper Strong Chain	90cm	

MAIN ACCESSORIES

- WS-3500M machine:1set
- Operation Handle:3pcs
- Lifting Handle:1pc
- Adaptor(included drill chuck):1set
(Can choose 3/4" (13mm) or 5/8" (16mm) Adaptor and Hex Key Wrench x1pc
- Super Strong Chain:1set(2pcs)
- Machine Manual:1copy

TOOL HOLDER

MT-2 MORSE TAPER TOOL HOLDER

Length	165mm
Capacity	14mm~50mm
Adaptor connection	I.D.19.05mm



MT-2

SPECIAL FEATURES

- 1.To increase the working performance with a water-cooling device.
- 2.It's good offer processing a big diameter, and can change the cutter easily and quickly.

ACCESSORIES

- Pilot Pin 7.99x91mm:1pc
- Pilot Pin 7.99x112.4mm:1pc
- Hex.Spanner:1psc
- Fixed screw:1pc



MT-3

MT-3 MORSE TAPER TOOL HOLDER

Length	185mm
Capacity	14mm~60mm
Adaptor connection	I.D.19.05mm

MAIN APPLICATIONS

It's applicable to an electric drill, a milling machine and a magnetic drilling machine .

MACHINE ADAPTORS



AD-19W
Weldon



AD-19Q
One Touch

Part No.	Capacity	Adaptor Connection	Type of Shank	Screw Connection
AD-19W	Max.13mm	OD 19.05mm	Weldon Shank	1/2" x 20UNF
AD-19Q	Max.13mm	OD 19.05mm	One Touch Shank	1/2" x 20UNF

SPECIAL FEATURES

- One Touch and Weldon Shank two types design for suitable with different brand of magnetic base drilling machine.
- It can fit for max. 13mm drill chuck.
- It is particularly easy to change twist drill for below 13mm and no need to change with machine tool holder.

TDAQ - 1906~1914

T D Q - 6706~6714



Part No. of Adaptor	Part No. of Twist Drill	Inner Dia. Connection	Shank Connection	Length of Twist Drill	Length of Adaptor	Overall Length after set up
TDAQ-1906	TDQ-6706	6mm	19.05mm	67mm	45mm	83mm
TDAQ-1907	TDQ-6707	7mm	19.05mm	67mm	45mm	83mm
TDAQ-1908	TDQ-6708	8mm	19.05mm	67mm	45mm	83mm
TDAQ-1909	TDQ-6709	9mm	19.05mm	67mm	45mm	83mm
TDAQ-1910	TDQ-6710	10mm	19.05mm	67mm	45mm	83mm
TDAQ-1911	TDQ-6711	11mm	19.05mm	67mm	45mm	83mm
TDAQ-1912	TDQ-6712	12mm	19.05mm	67mm	45mm	83mm
TDAQ-1913	TDQ-6713	13mm	19.05mm	67mm	45mm	83mm
TDAQ-1914	TDQ-6714	14mm	19.05mm	67mm	45mm	83mm

SPECIAL FEATURES

- One Touch and Weldon Shank two types design for suitable with different brand of magnetic base drilling machine.
- Use steel drill bit material that can cutting with harder material steel structure beam.
- It is particularly easy to change twist drill for below 14mm and no need to change with machine tool holder.